

## 36-Inch Pro Grand® Commercial Depth Gas Range



### Product Features

#### Innovation

Patented Pedestal Star® Burner with QuickClean Base® designed for easy surface cleaning and superior heat spread for any size pan

Powerful 22,000 BTU (NG) burner (front right) plus 4 ExtraLow® simmer burners for precise simmering

Large oven 5.7 cu.ft.-accommodates commercial sheet pan

Multi-point Temperature Meat Probe measures the temperature of your dish from three different points for more accurate cooking results

Superfast 2-hour self-clean mode - fastest in the industry

#### Performance

Electronic oven display interfaces to cook timer, CookControl™ meat probe and preheat status with audible alert

Three Full Access® telescopic racks holds up to 45 pounds, integrated easy grip handle

Powerful, 23,700 BTU bake and 17,500 BTU broil burners

SoftClose® hinges for ultra smooth closing of the oven door

Convection Bake offers precise multi-level baking results

#### Design

Bold Professional design

Pinhole and panel lighting concepts provide functional and stylish aesthetics

Restaurant style metal knobs

Signature blue indicator lighting

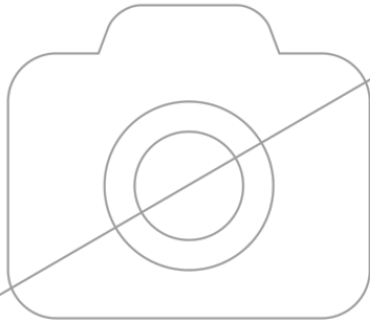
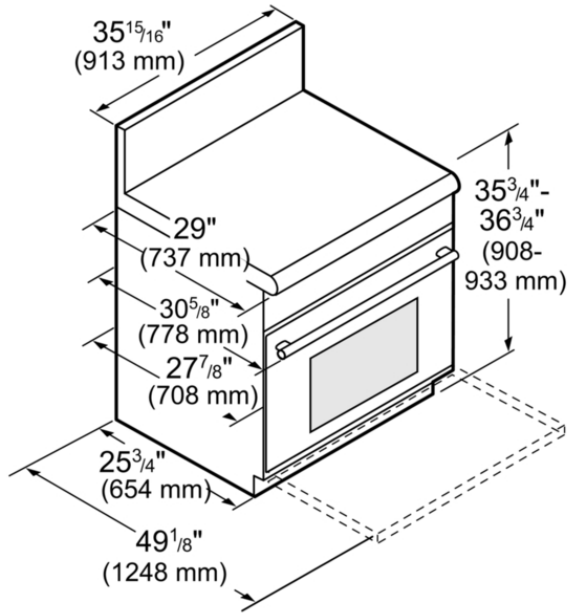
Large oven door window for maximum viewing

Notes: Please refer to installation instructions. Installation instructions are available at [www.thermador.com](http://www.thermador.com). Specifications are correct at the time of printing. Thermador reserves the right to change product specifications and design at any time, without notice.

1 800 735 4328 | [WWW.THERMADOR.COM](http://WWW.THERMADOR.COM) | 1901 Main Street, Suite 600 Irvine, CA 92614

©2022 BSH HOME APPLIANCES CORPORATION, ALL RIGHTS RESERVED LITHO DATE: 08/2022

## 36-Inch Pro Grand® Commercial Depth Gas Range



### Product Features

Total number of cooktop burners	6
Cooking mode	Centre-area grill/broiler, Convection Bake, Gas multifunction, Gas top/bottom heat, Selfcleaning pyrolytic, Warming
Integrated Cleaning system	Self Clean
Oven Control	Electronic
Knob Material	Full metal
Included accessories	1 x temperature sensor, 1 x telescopic rack, 1 x Broiler pan, 1 x island trim
Sealed Burners	Yes
Number of Double grates	3
Number of gas burners	6
Location of 1st heating element	front left
Power of 1st burner	22000
Location of 2nd heating element	center left
Location of 3rd heating element	back left
Power of 3rd burner (BTU)	15000
Location of 4th heating element	middle back
Power of 4th burner (BTU)	15000
Location of 5th heating element	back right
Power of 5th burner	15000
Location of 6th heating element	center right
Safety device	automatic reignition, Electronic flame control, Overheating protection, Thermostat

### Technical Specification

UPC code	825225928089
Gas type	Natural gas 15 mbar (USA)
Total BTU load	127000
Watts	100
Fuse protection	15
Volts	120
Frequency	60
Approval certificates	CSA
	36" width slide-in
Overall appliance dimensions (HxWxD) (in)	35 7/8" x 35 15/16" x 27 7/8"
Variable cooker height (in)	1"
AHAM usable cavity size	3
Product packaging dimensions (HxWxD)	49 1/4 x 43 1/2 x 40 3/8
Gross weight	428
Net weight	424

Notes: Please refer to installation instructions. Installation instructions are available at [www.thermador.com](http://www.thermador.com). Specifications are correct at the time of printing. Thermador reserves the right to change product specifications and design at any time, without notice.

1 800 735 4328 | [WWW.THERMADOR.COM](http://WWW.THERMADOR.COM) | 1901 Main Street, Suite 600 Irvine, CA 92614

©2022 BSH HOME APPLIANCES CORPORATION, ALL RIGHTS RESERVED LITHO DATE: 08/2022