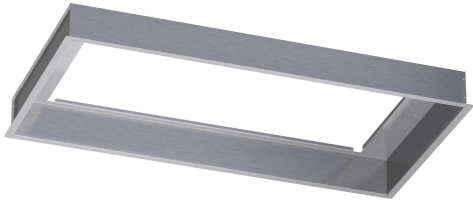


**installation accessory**  
**LINER30**



• EXTNCB25W 25-ft blower connector cable available, sold separately

---

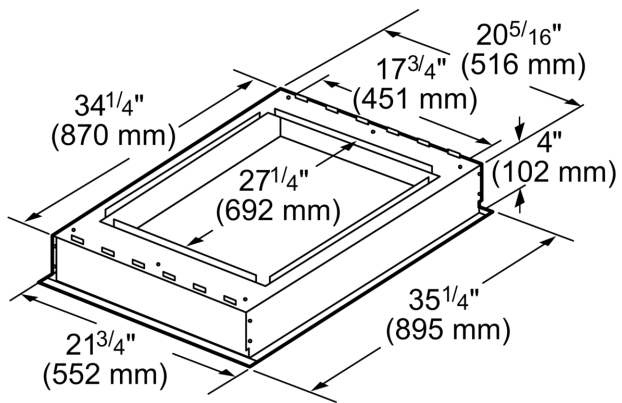
Product group: .....Accessory  
Brand: .....Thermador  
Product name / series name:  
SKU: .....LINER30  
Internal article number: .....LINER30  
EAN code: .....825225883647  
Product Packaging Dimensions (HxWxD): .....6.49 x 24.76 x 37.35  
Net Weight: .....7.000 lbs  
Gross Weight: .....11.000 lbs  
Quantity per packing unit:  
Standard number of units per pallet:  
UPC code: .....825225883647  
Product image: .....MCSA044014\_LINER36\_def.jpg

---



**installation accessory**  
**LINER30**

---



measurements in inches and mm