

# 36" Pull-Out Hood, 500 CFM, HUI56551UC, Stainless Steel



## Features and Benefits

### Design

- The Pull-Out Hood Visor Fully Extends During Use, and Neatly Tucks Away When not Needed
- Front Stainless Steel Visor Panel can be Replaced with the User's Own Custom Strip to Match Surrounding Cabinetry (Custom Strip Not Provided)

### Performance

- 500 CFM Integrated Blower Included
- Three Speed Slider Control
- 2 Halogen Lights - 120 V, 20 Watt Max., G-4 Base
- 6 inch Round Duct At Discharge

### Efficiency

- Absorbs odors with charcoal replacement filters (Separate Purchase Required)

### Convenience

- Aluminum Mesh Filters are dishwasher safe for ease of cleaning
- Converts to Recirculation Mode with Accessory Kit (Separate Purchase Required)
- For areas with Make-Up Air Requirements, our CFM Reducer Kit reduces the CFM to under 300 (Separate Purchase Required)

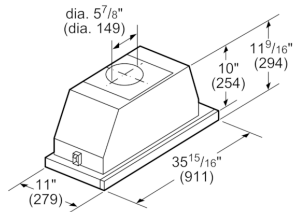
Notes: All height, width and depth dimensions are shown in inches. \*Please refer to installation instructions prior to making cutout. BSH reserves the absolute and unrestricted right to change product materials and specifications, at any time, without notice. Consult the product's installation instructions for final dimensional data and other details. Applicable product warranty can be found in a accompanying product literature or you may contact your account manager for further details.

For more information on our entire line of products, go to [boschappliances.com](http://boschappliances.com) or call 1-800-944-2904.

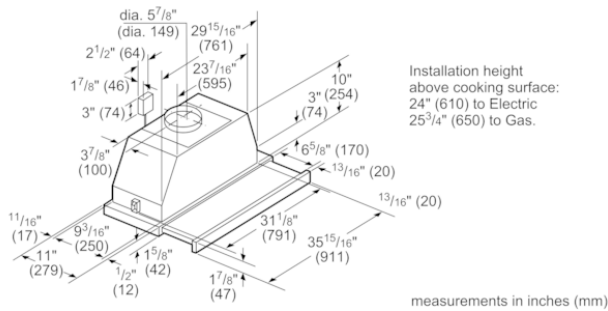
Copyright ©2020 BSH Home Appliances Corporation. All rights reserved. Bosch is a registered trademark of Robert Bosch GmbH.

Litho Date: 10/2020

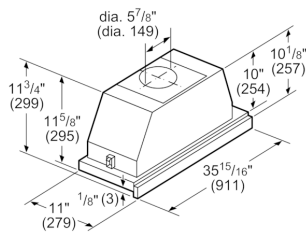
# 36" Pull-Out Hood, 500 CFM, HUI5651UC, Stainless Steel



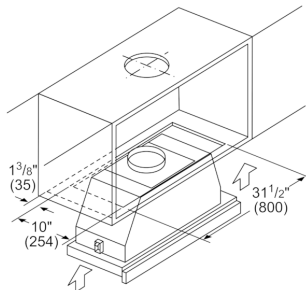
measurements in inches (mm)



measurements in inches (mm)



measurements in inches (mm)



measurements in inches (mm)

## Features

<b>Operating Mode</b>	<b>Convertible: Ducted / Recirculating</b>
<b>Number of speed settings</b>	<b>3-stage</b>
<b>Delay Shut off modes</b>	
<b>Silence level (dBA)</b>	
<b>Required accessories</b>	
<b>Optional accessories</b>	<b>HUIF06UC, HUIRED56UC</b>
<b>Number of lights</b>	<b>2</b>
<b>Type of lamps used</b>	<b>Halogen</b>
<b>Total power of the lamps (W)</b>	
<b>Grease filter material</b>	
<b>Grease filter type</b>	
<b>Clean filter reminders</b>	

## Technical Specification

<b>UPC code</b>	<b>825225920533</b>
<b>Material</b>	<b>Stainless steel</b>
<b>Watts (W)</b>	<b>370</b>
<b>Current (A)</b>	<b>15</b>
<b>Volts (V)</b>	<b>120</b>
<b>Frequency (Hz)</b>	<b>60</b>
<b>Approval certificates</b>	
<b>Power Cord Length</b>	<b>50"</b>
<b>Plug type</b>	<b>fixed connection</b>
<b>Overall appliance dimensions (HxWxD) (in)</b>	<b>/ x 35 7/8" x</b>
<b>Product packaging dimensions (HxWxD) (in)</b>	<b>16.92 x 40.55 x 18.11</b>
<b>Height of the chimney (in)</b>	
<b>Vertical rise height</b>	
<b>Required distance above cooktop/ranges</b>	
<b>Net weight (lbs)</b>	<b>37.000</b>
<b>Gross weight (lbs)</b>	<b>42.000</b>
<b>Adjustable feet</b>	
<b>Motor location</b>	<b>Integrated motor in hood body</b>
<b>Maximum CFM</b>	
<b>Diameter of air duct (in) top</b>	<b>6</b>
<b>Diameter of air duct (in) back</b>	<b>6</b>
<b>Discharge direction</b>	<b>vertical</b>
<b>No-return airflow flap</b>	<b>No</b>

Notes: All height, width and depth dimensions are shown in inches. \*Please refer to installation instructions prior to making cutout. BSH reserves the absolute and unrestricted right to change product materials and specifications, at any time, without notice. Consult the product's installation instructions for final dimensional data and other details. Applicable product warranty can be found in a accompanying product literature or you may contact your account manager for further details.

For more information on our entire line of products, go to [boschappliances.com](http://boschappliances.com) or call 1-800-944-2904.

Copyright ©2020 BSH Home Appliances Corporation. All rights reserved. Bosch is a registered trademark of Robert Bosch GmbH.

Litho Date: 10/2020