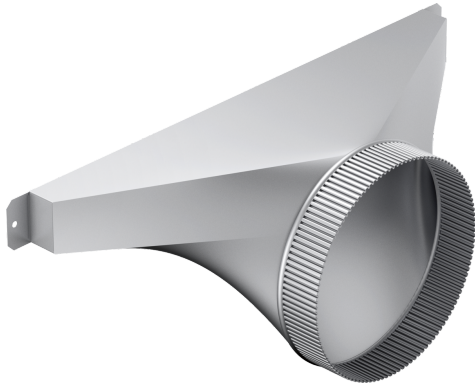


**Adapter duct  
CVTSIDE8**



**8 inch round transition allows left, right, or rear venting with Masterpiece® downdrafts using flexible blower as inline**

- For use with VTD600P blower as an inline installation
- Use with ducting or elbows with 8 inch round duct connection
- Can attach to downdraft housing or CVDUCT2 rectangular duct accessory
- See installation guide for details
- Rectangular 1-7/8" x 19" transition to 8" round

---

Product group: .....Accessory  
 Brand: .....Thermador  
 Product name / series name:  
 SKU: ..... CVTSIDE8  
 Internal article number: ..... 00000000000777718  
 EAN code: .....825225920755  
 Product Packaging Dimensions (HxWxD): ..... 12.49 x 12.75 x 24.99  
 Net Weight: .....3.000 lbs  
 Gross Weight: .....3.000 lbs  
 Quantity per packing unit:  
 Standard number of units per pallet: .....20  
 UPC code: .....825225920755  
 Product image: ..... MCSA02477409\_i3922\_1851069\_CVTSIDE8\_def.jpg

---



**Adapter duct  
CVTSIDE8**

**8 inch round transition allows left, right, or rear venting with Masterpiece® downdrafts using flexible blower as inline**

---

**Performance**

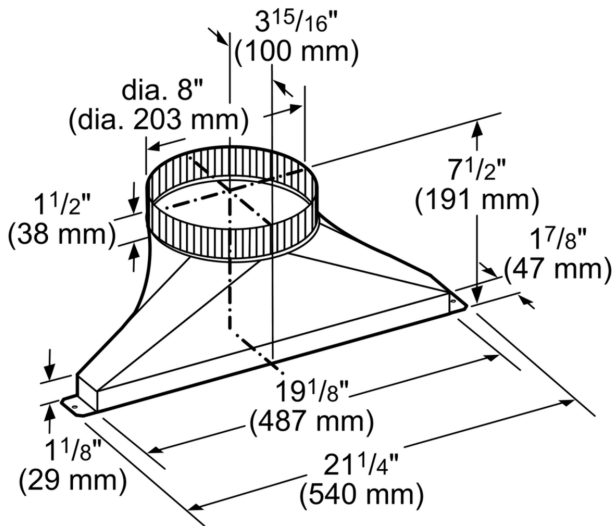
- For use with VTD600P blower as an inline installation
- Use with ducting or elbows with 8 inch round duct connection
- Can attach to downdraft housing or CVDUCT2 rectangular duct accessory
- See installation guide for details

**Design**

- Rectangular 1-7/8" x 19" transition to 8" round
- Designed for use with UCVM30RS, UCVM36RS, UCVP36RS downdrafts

**Adapter duct  
CVTSIDE8**

---



measurements in inches (mm)