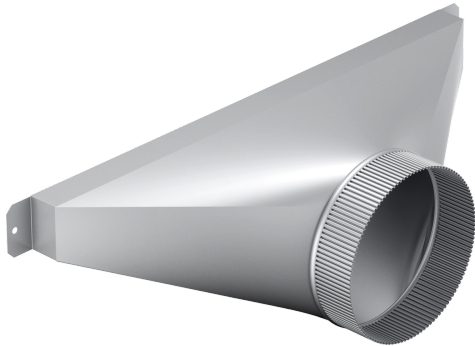


**Adapter duct
CVTSIDE6**



This 6 inch round transition allows for left, right, or rear venting with Masterpiece® downdraft with inline or remote blowers

- For use with remote or inline blower applications
- Use with blowers, ducting, or elbows with 6 inch round duct connection
- Can attach to downdraft housing or CVDUCT2 rectangular duct accessory
- See installation guide for details
- Rectangular 1-7/8" x 19" transition to 6" round

Product group:Accessory
Brand:Thermador
Product name / series name:
SKU: CVTSIDE6
Internal article number: 00000000000777717
EAN code: 825225920779
Product Packaging Dimensions (HxWxD): 12.49 x 12.24 x 25.24
Net Weight:3.000 lbs
Gross Weight:3.000 lbs
Quantity per packing unit:
Standard number of units per pallet:20
UPC code:825225920779
Product image: MCSA02476000_i3921_1849304_CVTSIDE6_def.jpg



Adapter duct CVTSIDE6

This 6 inch round transition allows for left, right, or rear venting with Masterpiece® downdraft with inline or remote blowers

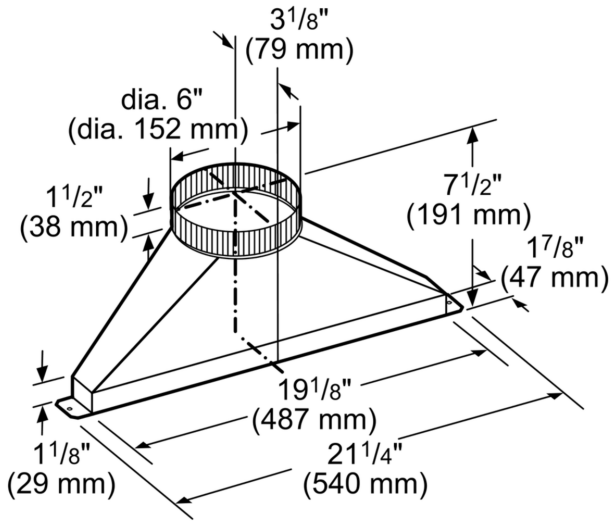
Performance

- For use with remote or inline blower applications
- Use with blowers, ducting, or elbows with 6 inch round duct connection
- Can attach to downdraft housing or CVDUCT2 rectangular duct accessory
- See installation guide for details

Design

- Rectangular 1-7/8" x 19" transition to 6" round
- Designed for use with UCVM30RS, UCVM36RS, UCVP36RS downdrafts

**Adapter duct
CVTSIDE6**



measurements in inches (mm)