

**Adapter duct  
CVTSIDE10**



**This 10 inch round transition allows for left, right, or rear venting with Masterpiece® downdraft with inline or remote blowers**

- For use with remote or inline blower applications
- Use with blowers, ducting, or elbows with 10 inch round duct connection
- Can attach to downdraft housing or CVDUCT2 rectangular duct accessory
- See installation guide for details
- Rectangular 1-7/8" x 19" transition to 10" round

---

Product group: .....Accessory  
Brand: .....Thermador  
Product name / series name:  
SKU: ..... CVTSIDE10  
Internal article number: ..... 00000000000777719  
EAN code: ..... 825225920748  
Product Packaging Dimensions (HxWxD): ..... 12.49 x 12.75 x 24.99  
Net Weight: .....4.000 lbs  
Gross Weight: .....4.000 lbs  
Quantity per packing unit:  
Standard number of units per pallet: .....20  
UPC code: .....825225920748  
Product image: ..... MCSA02477503\_i3926\_1851198\_CVTSIDE10\_def.jpg

---



8 252259 207484

## **Adapter duct CVTSIDE10**

**This 10 inch round transition allows for left, right, or rear venting with Masterpiece® downdraft with inline or remote blowers**

---

### **Performance**

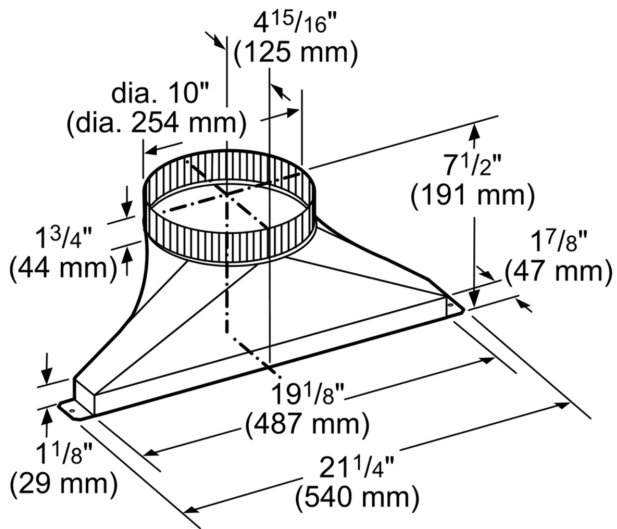
- For use with remote or inline blower applications
- Use with blowers, ducting, or elbows with 10 inch round duct connection
- Can attach to downdraft housing or CVDUCT2 rectangular duct accessory
- See installation guide for details

### **Design**

- Rectangular 1-7/8" x 19" transition to 10" round
- Designed for use with UCVM30RS, UCVM36RS, UCVP36RS downdrafts

**Adapter duct  
CVTSIDE10**

---



measurements in inches (mm)