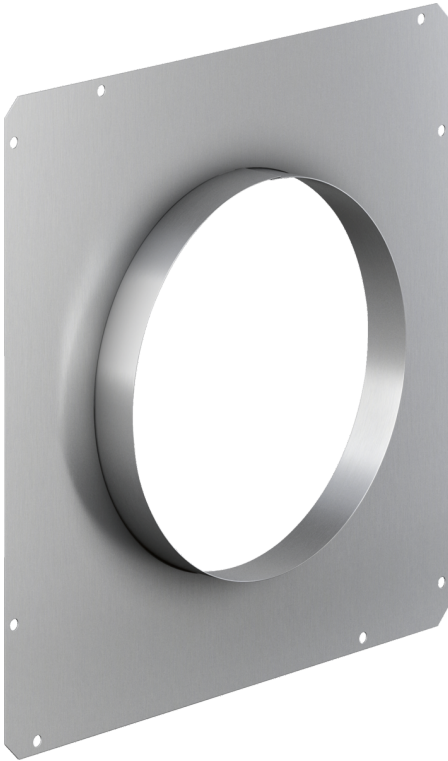


**installation accessory**  
**CVTFRONT10**



**10 inch round blower plate allows for front discharge of Masterpiece® downdraft with inline or remote blowers**

- EXTNCB25W 25-ft blower connector cable available, sold separately

---

Product group: .....Accessory  
Brand: .....Thermador  
Product name / series name:  
SKU: .....CVTFRONT10  
Internal article number: .....00000000011026322  
EAN code: .....825225921202  
Product Packaging Dimensions (HxWxD): .....2.20 x 13.49 x 13.40  
Net Weight: .....2.000 lbs  
Gross Weight: .....2.000 lbs  
Quantity per packing unit:  
Standard number of units per pallet: .....60  
UPC code: .....825225921202  
Product image: .....MCSA02477530\_i3927\_1851247\_CVTFRONT10\_def.jpg

---



**installation accessory**  
**CVTFRONT10**

**10 inch round blower plate allows for front discharge of Masterpiece® downdraft with inline or remote blowers**

---

**Performance**

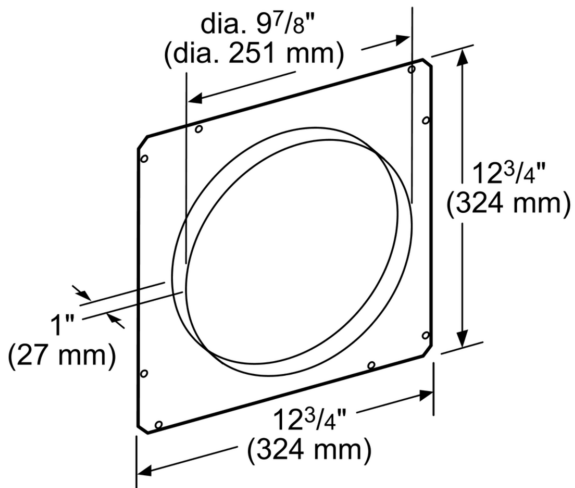
- For use with remote or inline blower applications

**Design**

- 10 inch round front rough-in plate
- Designed for use with UCVM30RS, UCVM36RS, UCVP36RS downdrafts

**installation accessory**  
**CVTFRONT10**

---



measurements in inches (mm)