

36-Inch Masterpiece® Freedom® Induction Cooktop CIT36XKB



Product Features

Innovation

Largest fully usable cooking surface on the market within its class.

48 induction elements deliver more than 63% usable cooking surface than the competition.

Place up to 4 pots or pans anywhere on the cooktop surface in any configuration.

Featuring the first full color touchscreen induction user interface on the market. This intuitive interface offers better control and faster access to cooking settings.

Freedom to move. If you need to move your pot to another location, the cooktop will transfer all of your programmed settings to the new position of the pan.

Performance

Most powerful element in its class with a 4,600 W PowerBoost® lets you boil water faster than with any other cooking technology.

Speed Heating - Induction cooktops heat 50% faster than traditional gas cooktops

Pan Recognition - Element will not turn on if other small objects are placed on the cooking zone

Anti-Overflow System - exclusive feature shutting off the relevant element and sounding alarm when liquids are detected on user interface

Child Safety Lock

Design

Full stainless steel frame

Grey-black glass color

Chiseled, angular design coordinates with the suite of Thermador Masterpiece® Collection appliances

BSH reserves the absolute and unrestricted right to change product materials and specifications, at any time, without notice. Consult the product's installation instructions for final dimensional data and other details. Applicable product warranty can be found in accompanying product literature (or you may contact your account manager for further details). Notes: All height, width and depth dimensions are shown in inches. *According to AHAM standards. **Please refer to installation instructions prior to making cutout.

1 800 735 4328 | WWW.THERMADOR.COM | 1901 Main Street, Suite 600 Irvine, CA 92614

©2019 BSH HOME APPLIANCES CORPORATION, ALL RIGHTS RESERVED LITHO DATE: 04/2019

36-Inch Masterpiece® Freedom® Induction Cooktop
CIT36XKB

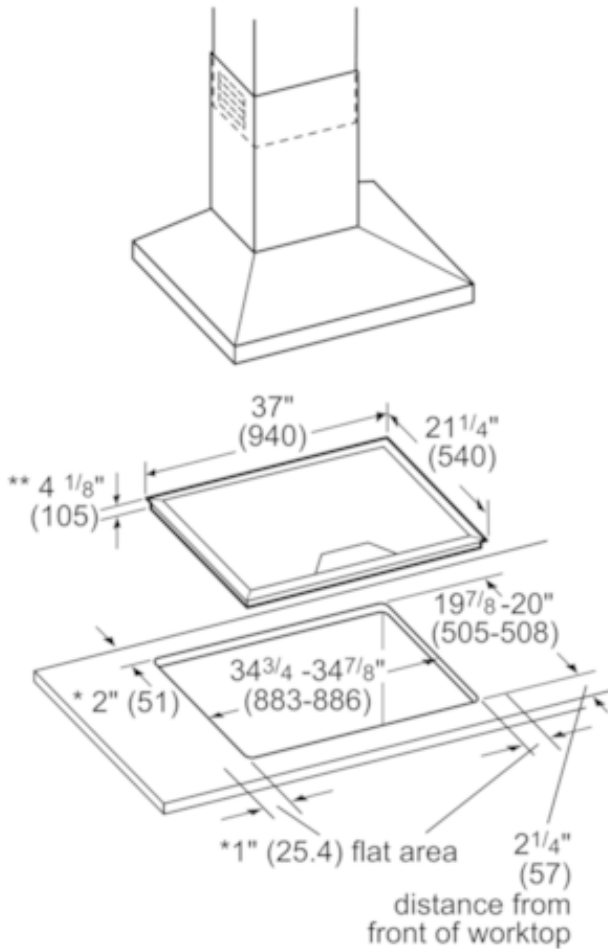


Product Features

Sealed Burners	No
Burners with booster	All
Power of heating element (kW in boost)	□

Technical Specification

UPC code	825225801122
Variant color	anthracite
Energy source	Electric
Watts (W)	7200
Current (A)	40
Volts (V)	208-240
Frequency (Hz)	50; 60
Approval certificates	CSA, FCC
Power Cord Length	37"
Plug type	no plug
Required cutout size (HxWxD) (in)	3 7/8" x 34 7/8" x 20"
Minimum distance from counter front (in)	2 1/2"
Minimum distance from rear wall (in)	2 3/8"
Overall appliance dimensions (HxWxD) (in)	3/8"+3 7/8" x 37" x 21 1/4"
Product packaging dimensions (HxWxD) (in)	7 1/16" x 42" x 1/8" x 26 3/4"
Net weight (lbs)	69
Gross weight (lbs)	80
Total number of cooktop burners	4



- * Minimum distance from cutout to the wall
- ** Recessed depth (includes 1" air clearance)

measurements in inches (mm in brackets)

BSH reserves the absolute and unrestricted right to change product materials and specifications, at any time, without notice. Consult the product's installation instructions for final dimensional data and other details. Applicable product warranty can be found in accompanying product literature (or you may contact your account manager for further details). Notes: All height, width and depth dimensions are shown in inches. *According to AHAM standards. **Please refer to installation instructions prior to making cutout.

1 800 735 4328 | WWW.THERMADOR.COM | 1901 Main Street, Suite 600 Irvine, CA 92614

©2019 BSH HOME APPLIANCES CORPORATION, ALL RIGHTS RESERVED LITHO DATE: 04/2019