

**Chimney extension  
CHXTHDDW**



**Optional 9-12 foot ceilings chimney  
extension kit for Masterpiece® HDDB drawer  
chimney wall hood series**

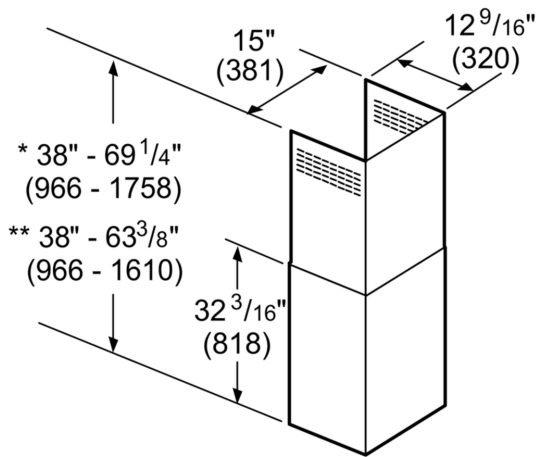
---

Product group: .....Accessory  
Brand: .....Thermador  
Product name / series name:  
SKU: .....CHXTHDDW  
Internal article number: .....00000000000718483  
EAN code: .....825225956266  
Product Packaging Dimensions (HxWxD): .....15 3/8" x 45 5/8" x 18 1/2"  
Net Weight: .....25.000 lbs  
Gross Weight: .....29.000 lbs  
Quantity per packing unit:  
Standard number of units per pallet:  
UPC code: .....825225956266  
Product image: .....MCSA02757572\_IMG\_20180601\_CHXTHDDW\_def.jpg

---



**Chimney extension  
CHXTHDDW**



- \* Recirculating installation
- \*\* Ducted installation

measurements in inches (mm)