

30-Inch Masterpiece® Touch Control Electric Cooktop, Black, Frameless



Product Features

Innovation

Cooksmart® feature - 4 preset frying levels controlled by a sensor

Performance

Four elements and eight cooking zones provides the space and power for most cookware

Dual zone bridge element connects front and rear elements to accommodate oblong cookware and multiple diameter sizes

Large triple element offers the capability to use multiple pan sizes

Residual heat indicator shows you what elements are still hot

Wipe protection function allows user to clean the surface of the control panel without risk of changing the settings

Design

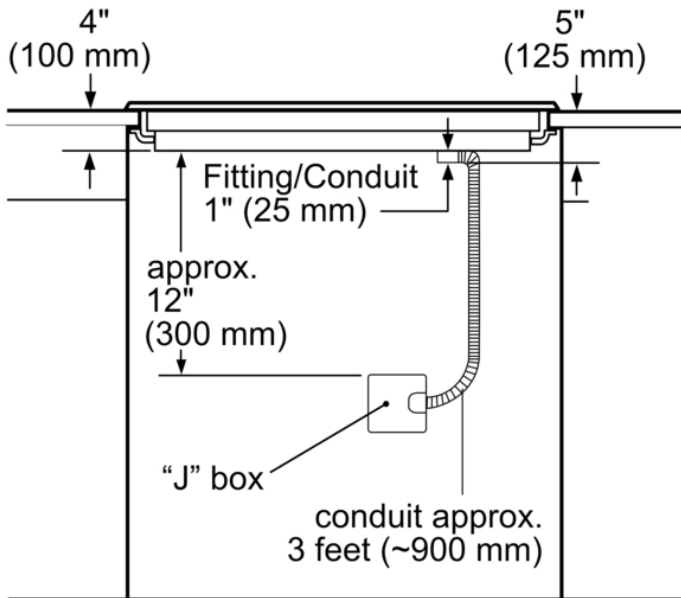
Touch control panel with blue light illumination offers 17 power settings

BSH reserves the absolute and unrestricted right to change product materials and specifications, at any time, without notice. Consult the product's installation instructions for final dimensional data and other details. Applicable product warranty can be found in accompanying product literature (or you may contact your account manager for further details). Notes: All height, width and depth dimensions are shown in inches. *According to AHAM standards. **Please refer to installation instructions prior to making cutout.

1 800 735 4328 | WWW.THERMADOR.COM | 1901 Main Street, Suite 600 Irvine, CA 92614

©2022 BSH HOME APPLIANCES CORPORATION, ALL RIGHTS RESERVED LITHO DATE: 08/2022

**30-Inch Masterpiece® Touch Control Electric Cooktop,
Black, Frameless**



measurement in inches (mm)

Product Features

Sealed Burners	No
Dimension of 1st heating element (in)	7"
Dimension of 3rd heating element (in)	5" ; 7"

Technical Specification

UPC code	825225960232
Variant color	Black
Energy source	Electric
Watts	7800
Fuse protection	30/30
Volts	240/208
Frequency	60
Approval certificates	Dekra Mark C+US
Plug type	no plug
Required cutout size (HxWxD) (in)	4 " x 28 3/4 " x 19 7/8 "
Minimum distance from counter front (in)	2 1/4
Minimum distance from rear wall (in)	2
Overall appliance dimensions (HxWxD) (in)	7/16"+4 " x 31" x 21 1/4"
Product packaging dimensions (HxWxD)	8 1/4" x 37 3/8" x 24"
Net weight	26.000
Gross weight	34.000
Total number of cooktop burners	4

BSH reserves the absolute and unrestricted right to change product materials and specifications, at any time, without notice. Consult the product's installation instructions for final dimensional data and other details. Applicable product warranty can be found in accompanying product literature (or you may contact your account manager for further details). Notes: All height, width and depth dimensions are shown in inches. *According to AHAM standards. **Please refer to installation instructions prior to making cutout.

1 800 735 4328 | WWW.THERMADOR.COM | 1901 Main Street, Suite 600 Irvine, CA 92614

©2022 BSH HOME APPLIANCES CORPORATION, ALL RIGHTS RESERVED LITHO DATE: 08/2022