

**500 Series, French Door Bottom Mount Refrigerator, 36", Stainless steel (with anti-fingerprint), Total No Frost B36FD52SNS**



- **QuickIce Pro System™:** The industry's fastest refrigerator ice maker\*, offers freshly filtered ice, replenished fast.
- **Spacious Standard Depth:** our sleek, freestanding refrigerators provide ample space for all of your perishables.
- **Anti-fingerprint stainless steel:** prevents smudges and cleans easily.
- **Bottle Fill:** fill your favorite glass or bottle hands-free using one touch bottle fill.
- **UltraClarityPro® Water Filter:** removes an astonishing >99.9% of sediments from your tap water.

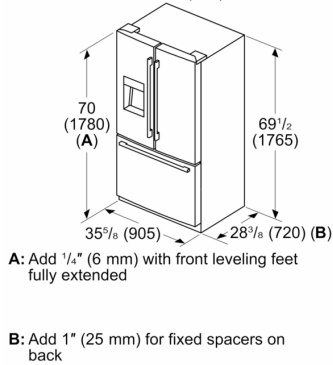
UPC code: ..... 825225970767  
 Color: ..... Stainless steel (with anti-fingerprint)  
 Panel Ready: ..... Not Possible  
 Silence Level: ..... 40 dB(A) re 1pW  
 Watts: ..... 180 W  
 Fuse protection: ..... 10 A  
 Volts: ..... 110-120 V  
 Frequency: ..... 60 Hz  
 ENERGY STAR® certified: ..... Yes  
 Power Cord Length: ..... 66 15/16 "  
 Plug Type: ..... 120V-3 prong  
 Required Cutout Size (HxWxD) (in): ..... x  
 Product Packaging Dimensions (HxWxD): ..... 73.03 x 39.29 x 35.98  
 Total Unit Gross Capacity - AHAM: ..... 26.0 Cu Ft  
 Refrigerator Gross Capacity: ..... 18.0 Cu Ft  
 Freezer Gross Capacity: ..... 8.0 Cu Ft  
 Net Weight: ..... 326.000 lbs  
 Gross Weight: ..... 355.000 lbs



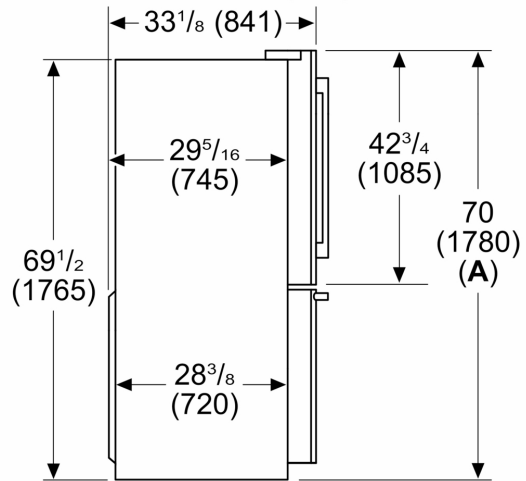
- BORPLFTR55 Ultraclarity PRO water filter
- FPETHKT50 Fresh Protect Ethylene Starter Kit
- FPETHRF50 Fresh Protect Ethylene Refill Kit

**500 Series, French Door Bottom Mount Refrigerator, 36", Stainless steel (with anti-fingerprint), Total No Frost B36FD52SNS**

Measurements in inches (mm)

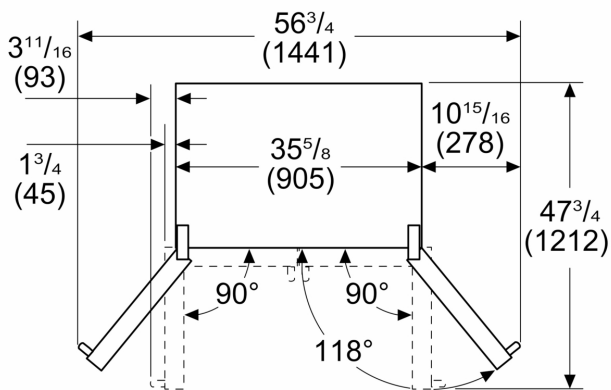


Measurements in inches (mm)



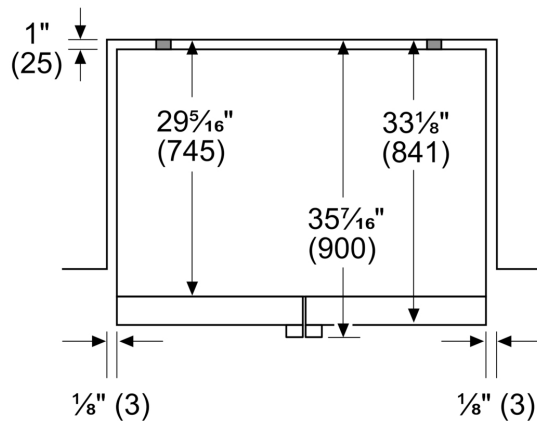
A: Add 1/4" (6 mm) with front leveling feet fully extended

Measurements in inches (mm)

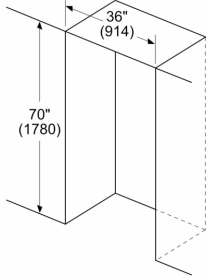


Drawers can be pulled out with door open to 90°  
 Drawers can be taken out with door completely opened

measurements in inches (mm)



measurements in inches (mm)



Leave  $\frac{1}{2}$ " (12.7) gap at the top and 1" (25.4) behind the refrigerator for proper ventilation.

It is recommended that you do not install the refrigerator near a heat source such as a stove or a range.