

**Series 6, washer dryer, 8/5 kg, 1500 rpm  
WVG30460TH**



**No damage. Perfect wash and dry results**

- EcoSilence Drive™ friction-free motor minimises heat and wear for long-lasting performance, quiet operation and perfect wash results.
- VarioPerfect™: high performance programmes which allow you to clean your laundry with 20% less energy or reduce cleaning time by 65%
- Anti-Vibration Side Panels reduce vibrations and ensure greater stability during the washing and spinning process.
- Wash and Dry 60min programme washes, cleans and dries your laundry perfectly in just one hour
- Wash & Dry 60: Wash and dry efficiently small loads in just 60 min.

---

Maximum capacity in kg in a Wash/Dry cycle (EU 2017/1369):	..... 5.0
Maximum capacity in kg in a wash cycle (EU 2017/1369):	..... 8.0
Built-in / Free-standing:	..... Free-standing
Removable top:	..... No
Door hinge:	..... Left
Length electrical supply cord:	..... 210.0 cm
Height of removable worktop:	..... -2 mm
Dimensions of the product:	..... 848 x 598 x 590 mm
Net weight:	..... 80.9 kg
Drum volume:	..... 56 l
Connection Rating:	..... 2200 W
Fuse protection:	..... 10 A
Voltage:	..... 220-240 V
Frequency:	..... 50 Hz
Energy consumption (wash and dry of full wash load):	..... 5.44 kWh
Energy consumption (wash only):	..... 0.83 kWh
Water consumption (wash and dry full wash load):	..... 118 l

---

WX975600 Floor securing component  
WZ10131 Extension for cold water inlet /Aquastop





**Series 6, washer dryer, 8/5 kg, 1500 rpm  
WVG30460TH**

**No damage. Perfect wash and dry results**

---

**Technical Information**

- Capacity: 8 kg washing, 5 kg drying
- Maximum spin speed: 1500 r/min
- Dimensions (H x W x D): 84.8 x 59.8 x 59 cm
- 32 cm porthole, 180° swing door
- Noise level washing: 52dBA, spinning: 74dBA, drying: 59dBA

**Programmes**

- Cottons, Cottons+PreWash, Easy Care, Mix, AllergyPlus, HygieneCare, Down, Rinse,Spin/Drain, Super 15', Wash&Dry 60', Wool, Delicates/Silk, Drum Clean, Gentle Dry, Intensive Dry
- TouchControl buttons: Spin Speed Selection, Finished In, Temperature, Start/Reload, SpeedPerfect, EcoPerfect, 24 Hour End Time Delay
- Reload function to pause machine operation for adding in last minute laundry items

**Features**

- EcoSilence Drive™ friction-free motor minimises heat and wear for long-lasting performance, quiet operation and perfect wash results.
- VarioPerfect™: high performance programmes which allow you to clean your laundry with 50% less energy or reduce cleaning time by up to 65%
- Anti-Vibration Side Panels reduce vibrations and ensure greater stability during the washing and spinning process.
- Unbalanced load detection to minimise unnecessary vibration, noise and friction
- Turbidity sensor measures degree of soiling for clothes and prescribes an extra rinse for a thorough clean
- Multiple water protection with magnetic valve to minimise risk of leakage

**Safety**

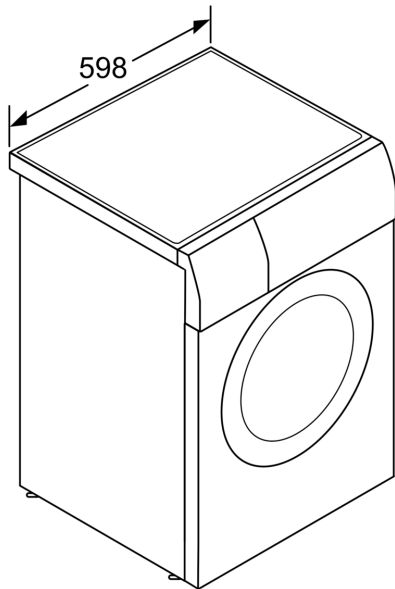
- Child-proof lock

**Display Screen & Alerts**

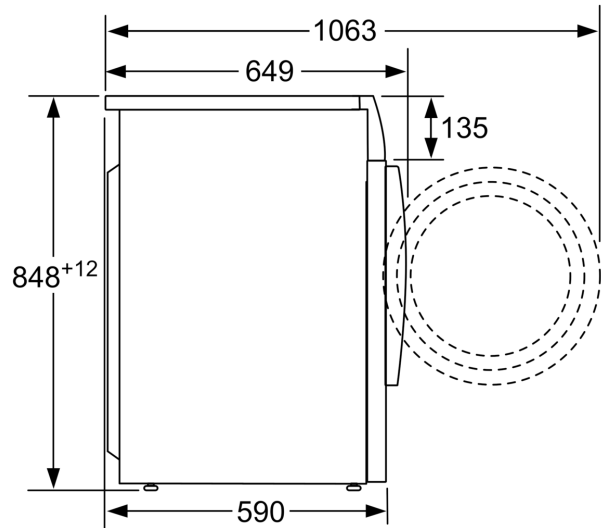
- LED display screen to indicate: Programme status, Temperature and Spin Speed Selection, Remaining Time and 24 Hour End Time Delay, Load Recommendation and Consumption
- Buzzer at the end of the wash programme

**Series 6, washer dryer, 8/5 kg, 1500 rpm**  
**WVG30460TH**

---



measurements in mm



measurements in mm