

**Series 8, heat pump tumble dryer, 9 kg
WTX87MH0TH**



The AutoClean dryer with Smart Dry is the smartest way to do your laundry, as everything is done fully automatically.

- **Smart Dry:** automatically selects the best drying program based on the last washing cycle.
- **AutoDry:** gently dries laundry to precisely the degree of dryness you want.
- **AntiVibration Design:** extremely stable and extraordinarily quiet thanks to special vibration protection.
- **Comfort Control:** easy to operate thanks to the intuitive user interface.

Built-in / Free-standing: Free-standing
 Removable top: No
 Door hinge: Right
 Color / Material body: White
 Length electrical supply cord: 145.0 cm
 Dimensions: 842 x 598 x 613 mm
 Net weight: 54.4 kg
 Drum volume: 112 l
 Fluorinated greenhouse gases: No
 Type of refrigerant: R290
 Hermetically sealed equipment: Yes
 Connection Rating: 800 W
 Fuse protection: 10 A
 Voltage: 220-240 V
 Frequency: 50 Hz
 Drying process: automatic
 Capacity cotton - NEW (2010/30/EC): 9.0 kg
 Energy efficiency rating: A++
 Duration of the left-on mode - NEW (2012/30/EC): 30 min
 Condensation efficiency class - NEW (2010/30/EC): A

WMZ20600 Wool in basket - accessory
 WTZ11400 Stacking kit with pull-out shelf
 WTZPW20D Platform with pull-out, dryer, cubic
 WZ11410 Stacking kit



Series 8, heat pump tumble dryer, 9 kg WTX87MH0TH

The AutoClean dryer with Smart Dry is the smartest way to do your laundry, as everything is done fully automatically.

Technical Information

- Capacity: 9 kg
- Dimensions (H x W x D): 84.2 x 59.8 x 61.3 cm
- 39 cm porthole, 170 ° swing door
- Operating noise for drying: 64dBA

Programmes

- Cottons, Synthetics, Mix, Delicates, Wool Finish, Timed Program Warm, Smart Dry, AllergyPlus, Super Quick 40min, Towels, Sportswear, Down Wear, Duvet, Shirts/Blouses

Features

- Home Connect: Remote Monitoring and Control, Energy Management, Remote Diagnostics, Smart Dry
- Self-Cleaning Condenser automatically cleans itself and keeps the dryer running at peak efficiency at all times
- Sensitive Drying system combines warm air currents and a gentle drum structure for dry clothes
- Fine-adjustment of drying intensity to customise your preferred level of dryness
- Anti-crease cycle 120 min at the end of programme
- Touch Control buttons: Low heat, less ironing, programme length, start/pause, fine-tuning of drying aim, 24h end time delay
- Anti-Vibration Side Panels reduce vibrations and ensure greater stability during the washing and spinning process.

Display Screen & Alerts

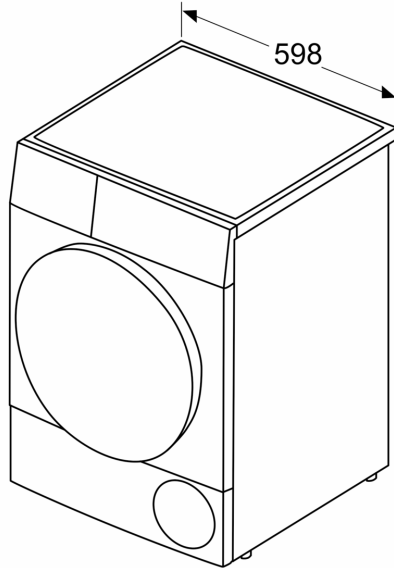
- LED Display for remaining time and 24 Hr end time delay, programme status indication, special functions
- Buzzer at the end of the wash programme

Safety

- Child-proof lock
- Duo-Tronic Senors monitors moisture levels and temperature to reach desired levels of dryness and to prevent overheating

**Series 8, heat pump tumble dryer, 9
kg
WTX87MH0TH**

Measurements in mm



Measurements in mm

