

**Serie | 2, vented tumble dryer, 7 kg  
WTA74201TH**



**Quick fuss-free drying. Perfect results  
every time**

**Technical Data**

Built-in / Free-standing :	Free-standing
Removable top :	No
Door hinge :	Right
Color / Material body :	White
Length electrical supply cord (cm) :	145.0
Height of removable worktop (mm) :	842
Dimensions of the product (mm) :	842 x 598 x 601
Net weight (kg) :	32.768
Drum volume (l) :	112
Connection Rating (W) :	2000
Current (A) :	10
Voltage (V) :	220-240
Frequency (Hz) :	50
Approval certificates :	CE, VDE
Drying process :	automatic
Capacity cotton (kg) - NEW (2010/30/EC) :	7.0
:	Cotton cupboard dry
Energy efficiency rating :	C
Energy consumption electric dryer, full load - NEW (2010/30/EC) (kWh) :	3.90
Standard cotton programme time at full load (min) :	128
Energy consumption electric dryer, partial load - NEW (2010/30/EC) (kWh) :	2.29
Standard cotton programme time at partial load (min) :	77
Weighted annual energy consumption, electric dryer - NEW (2010/30/EC) (kWh) :	482.0
Power consumption in off-mode (W) - NEW (2010/30/EC) :	0.10
Power consumption in left-on mode (W) - NEW (2010/30/EC) :	1.00
Weighted programme time (min) :	97



4 242005 072804

## Serie | 2, vented tumble dryer, 7 kg WTA74201TH

### Quick fuss-free drying. Perfect results every time

---

#### Technical Information

- Capacity: 7 kg
- Dimensions (H x W x D): 84.2 x 59.8 x 60.1 cm
- 38 cm porthole, 150 ° swing door
- Noise level: 65 dB (A) re 1 pW

#### Programmes

- Cottons Cupboard Dry Extra, Cottons Cupboard Dry, Cottons Iron Dry, Sportswear, Towels, Mix, Time program warm, Time program cold, Lingerie, Wool finish, Super 40', Shirts, Easy Care Cupboard Dry Extra, Easy Care Cupboard Dry, Easy Care Iron Dry

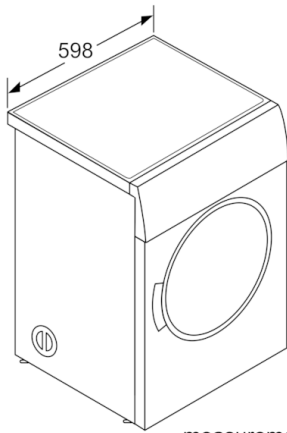
#### Features

- Anti-Vibration Side Panels reduce vibrations and ensure greater stability during the washing and spinning process.
- Sensitive Drying system combines warm air currents and a gentle drum structure for dry clothes
- Fine-adjustment of drying intensity to customise your preferred level of dryness
- Child-proof lock

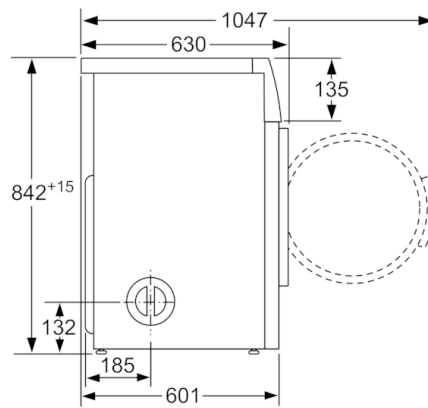
#### Display Screen & Alerts

- Touch Control buttons: Low heat, less ironing, programme length, start/pause, fine-tuning of drying aim, 24h end time delay
- Buzzer at the end of the wash programme

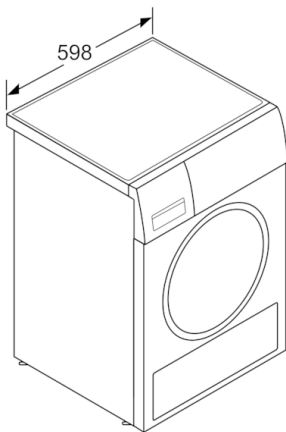
**Serie | 2, vented tumble dryer, 7 kg  
WTA74201TH**



measurements in mm



measurements in mm



measurements in mm