

**Series 6, washing machine, front loader, 10 kg, 1400 rpm
WGG454A0TH**



Get 100% accurate detergent-dosing and perfect washing results everytime with Bosch iDos washing machine for greater peace of mind

- **i-DOS automatic dosing system dispenses the precise amount of liquid detergent for perfect cleaning**
- **Everything is automatically adjusted to the needs of your laundry depending on fabric type and the degree of soiling.**
- **EcoSilence Drive™ friction-free motor minimises heat and wear for long-lasting performance, quiet operation and perfect wash results.**
- **SpeedPerfect: perfectly clean in up to 65% less time.**
- **Vario Drum: gently and efficiently wash with even water distribution and without creasing garments.**

- WMZ2200 Floor securing component
- WMZ2381 Extension for cold water inlet /Aquastop
- WMZPW20W Platform with pull-out, washer, cubic

Built-in / Free-standing:	Free-standing
Door hinge:	Left
Color / Material body:	White
Length electrical supply cord:	160.0 cm
Height of the appliance:	848 mm
Dimensions of the product:	848 x 598 x 590 mm
Wheels:	No
Net weight:	81.3 kg
Drum volume:	70 l
Door Frame:	Chrome, blackgray
Color Dial:	Chrome-black
Noise level washing:	44 dB(A) re 1 pW
Connection Rating:	1900 W
Fuse protection:	10 A
Voltage:	220 V
Frequency:	50 Hz
Energy Star Qualified:	No
Cord Included:	Yes
Plug type:	Thai plug
Length of supply hose (in):	59.05 "
Dimensions of the packed product:	35.03 x 26.57 x 27.95
Net weight:	179.000 lbs
Gross weight:	187.000 lbs
Length of drain hose:	150.00 cm
Length of supply hose:	150.00 cm
Dimensions of the packed product (HxWxD):	890 x 675 x 710 mm
Gross weight:	85.0 kg
Connection Rating:	1900 W
Fuse protection:	10 A
Voltage:	220 V
Frequency:	50 Hz
Energy consumption:	0.74 kWh
Water consumption:	74.0 l
Water protection system:	Multiple water protection
Maximum spin speed:	1400 rpm
Spin speed options:	Variable
Digital countdown indicator:	Yes
Drying progress indicator:	LED-display
Maximum capacity in kg (EU 2017/1369):	10.0 kg



Series 6, washing machine, front loader, 10 kg, 1400 rpm WGG454A0TH

Get 100% accurate detergent-dosing and perfect washing results everytime with Bosch iDos washing machine for greater peace of mind

Technical Information

- Capacity: 10 kg
- Maximum spin speed: 1400 r/min
- Dimensions (H x W x D): 84.8 x 59.8 x 59 cm
- 32 cm porthole, 165° swing door

Programmes

- Cottons, Mix Load, Synthetics, Delicates/Silk, Wool, Rinse, Spin, Drum Clean, Downs Clothes, Bed Linen, Outdoor/Waterproofing, Sensitive, Quick 15 min, Automatic 40°C
- Time delay to select end time of your wash (1 - 24 hours) and time remaining indicator
- Reload function to pause machine operation for adding in last minute laundry items

Features

- i-DOS automatic dosing system dispenses the precise amount of liquid detergent for perfect cleaning
- SpeedPerfect: perfectly clean in up to 65% less time.
- ActiveWater™ Plus: Pressure and water sensor that measures the washing load and adjusts water intake to 256 precise levels for more cost and water savings
- VarioDrum's breakthrough wave-droplet design provides a thorough yet gentle clean for fine textiles
- Anti-Vibration Side Panels reduce vibrations and ensure greater stability during the washing and spinning process.

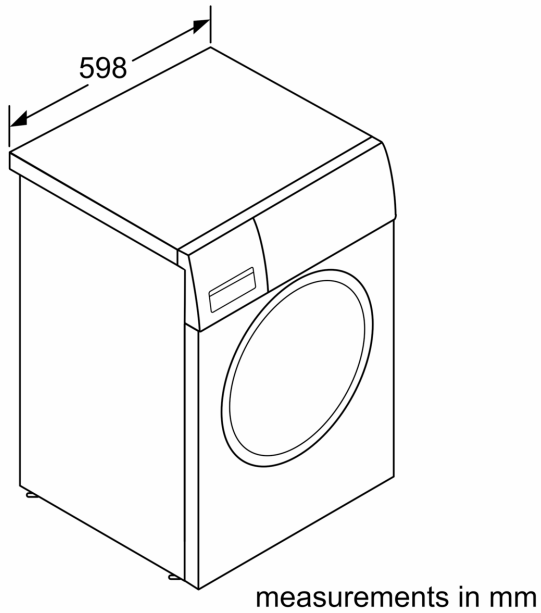
Safety

- Multiple water protection with magnetic valve to minimise risk of leakage
- Child-proof lock

Display Screen & Alerts

- Large LED display screen to indicate: Programme status, Temperature and Spin Speed Selection, Remaining Time and 24 Hour End Time Delay, Load Recommendation and Consumption

**Series 6, washing machine, front loader, 10 kg, 1400 rpm
WGG454A0TH**



Measurements in mm

