

**Series 4, washing machine, front loader, 9 kg, 1400 rpm
WGA14400TH**



- The AntiStain option easily removes the up to 4 of the most stubborn stains, ranging from oil, tea, cosmetics and blood helping you get the perfect washing results, easily.
- EcoSilence Drive™ friction-free motor minimises heat and wear for long-lasting performance, quiet operation and perfect wash results.
- AllergyPlus: specially developed for the needs of allergy sufferers and sensitive skin.
- SpeedPerfect: perfectly clean in up to 65% less time.
- Vario Drum: gently and efficiently wash with even water distribution and without creasing garments.

Built-in / Free-standing:	Free-standing
Door hinge:	Left
Color / Material body:	White
Length electrical supply cord:	160.0 cm
Height of the appliance:	845 mm
Dimensions of the product:	845 x 597 x 588 mm
Wheels:	No
Net weight:	70.9 kg
Drum volume:	65 l
Door Frame:	Silver-inox, black-grey
Noise level washing:	55 dB(A) re 1 pW
Connection Rating:	2300 W
Fuse protection:	10 A
Voltage:	220-240 V
Frequency:	50 Hz
Energy Star Qualified:	No
Cord Included:	Yes
Plug type:	Thai plug
Length of supply hose (in):	59.05 "
Dimensions of the packed product:	34.25 x 24.99 x 27.36
Net weight:	156.000 lbs
Gross weight:	158.000 lbs
Length of drain hose:	150.00 cm
Length of supply hose:	150.00 cm
Dimensions of the packed product (HxWxD):	870 x 635 x 695 mm
Gross weight:	71.7 kg
Connection Rating:	2300 W
Fuse protection:	10 A
Voltage:	220-240 V
Frequency:	50 Hz
Energy consumption:	0.62 kWh
Water consumption:	44.0 l
Water protection system:	Multiple water protection
Maximum spin speed:	1400 rpm
Spin speed options:	Variable
Digital countdown indicator:	Yes
Drying progress indicator:	LED-display, LED
Maximum capacity in kg (EU 2017/1369):	9.0 kg

WMZ2200 Floor securing component
WMZ2381 Extension for cold water inlet /Aquastop



Series 4, washing machine, front loader, 9 kg, 1400 rpm WGA14400TH

- iQdrive: brushless motor for higher energy savings and quieter operation

Energy and Power and Consumption

- Capacity: 9 kg
- spin-drying efficiency class: B
- Max. spin speed: 1400 rpm
- Noise level washing in standard 60° cotton programme at full load in dB (A) re 1 pW: 55
- Noise level spinning at standard 60°C cotton programme at full loading in dB (A) re 1 pW: 73

Programmes

options

- VarioPerfect: time- or energy optimized programs with perfect wash performance
- TouchControl buttons: Ready in, Temperature, Turboperfect, start/pause with reload function, stain selection, Rinse plus +1+2+3, Spin speed reduction/Rinse hold

comfort and safety

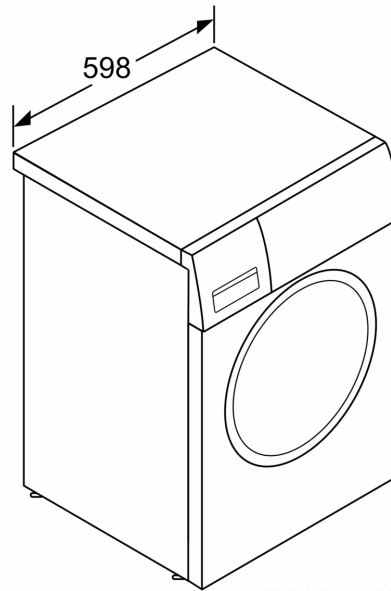
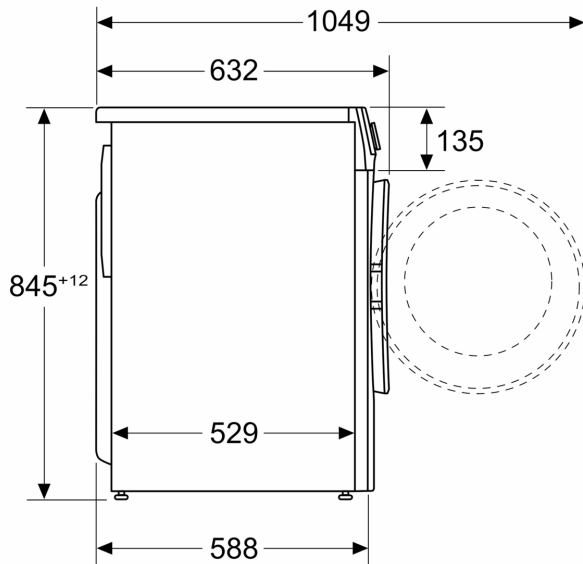
- WaveDrum
- Water protection system: Multiple Water Protection with magnetic valve to minimise risk of leakage
- Large display for programme progress indication, temperature, spin speed, remaining time, 24 h end time delay and load recommendation
- Fully electronic control panel for all wash and special programs
- AntiVibration Design: more stability and quietness
- 3D AquaSpa wash system with cascade for faster water penetration
- waterPerfect: Automatically optimises water usage for every load
- Loading introduction
- Foam detection system to remove excessive foam
- Unbalanced load detection to minimise unnecessary vibration, noise and friction
- Self cleaning detergent drawer
- Overdosage indication
- Child-proof lock
- Buzzer
- Metal door closing hook
- magnet with pull-open latch

Technical Information

- Dimensions (H x W x D): 84.5 x 59.7 x 58.8 cm
- slide-under

**Series 4, washing machine, front
loader, 9 kg, 1400 rpm
WGA14400TH**

Measurements in mm



measurements in mm