

**Series 4, fully-integrated dishwasher,
45 cm
SPV4HMX65K**



SGZ0BI02	decorative strips stainless steel 81,5cm
SGZ1010	inlet and outlet hose extension
SGZ4CB00	Vario cutlery basket 45cm
SMZ1051EU	Mains cable with EU-Plug 5m
SMZ5000	Dishwashing aid set
SMZ5003	Retractable hinge f. high corpus dimens.
SMZ5300	GlassSecure Tray

**Connected dishwasher with noise
reduction at any time via the Home
Connect App.**

- **ExtraDry:** selectable option for additional drying.
- **InfoLight:** a red infolight on the floor indicates whether the dishwasher is switched on or off.
- **AquaStop:** 100% lifetime warranty for water damages guaranteed.
- **EcoSilence Drive:** especially energy-saving and silent in operation with a particularly high life span.
- **10 years warranty:** our promise against rust-through.

Maximum number of place settings (EU 2017/1369):	10
The water consumption of the eco programme in liters per cycle (EU 2017/1369):	9.5 l
Cleaning performance:	A
Water consumption:	9.5 l
Total annual energy consumption 220 days:	183 kWh
Total annual water consumption 220 days:	2090 l
Built-in / Free-standing:	Built-in
Removable top:	No
Door panel options:	Not possible
Height of removable worktop:	0 mm
Height of the appliance:	815 mm
Adjustable feet:	Yes - all from front
Maximum adjustability feet:	60 mm
Adjustable plinth:	Both horizontal and vertical
Net weight:	28.3 kg
Gross weight:	30.1 kg
Connection Rating:	2400 W
Fuse protection:	10 A
Voltage:	220-240 V
Frequency:	50; 60 Hz
Length electrical supply cord:	175.0 cm
Plug type:	Gardy plug w/ earthing
Length inlet hose:	165 cm
Length outlet hose:	205 cm
Hidden heating element:	Yes
Water protection system description:	Triple water protection 24h
Child safety devices:	No
Water softener:	Yes
Top basket type:	R3 45 cm
Adjustable upper basket:	Rackmatic 3-stage
Bottom basket type:	R3 45 cm
3rd Rack:	VarioDrawer
Optional accessories:	SGZ0BI02, SGZ1010, SGZ4CB00, SMZ1051EU, SMZ5000, SMZ5003, SMZ5300
Included accessories 2:	steam protection
Number of place settings:	10
Dimensions of the product (HxWxD):	815 x 448 x 550 mm
Dimensions of the packed product (HxWxD):	880 x 510 x 680 mm



Series 4, fully-integrated dishwasher, 45 cm SPV4HMX65K

Connected dishwasher with noise reduction at any time via the Home Connect App.

- Fully integrated

Features

- Noise level (silence programme): 43 dB(A) re 1 pW

General Specification

- 6 programmes: Intensive 70°C, Auto 45-65°C, Eco 50°C, Glass 40°C, 1h 65°C, Pre-rinse

Safety

- Heat exchanger.
- AquaSensor
- DosageAssist
- EcoSilence Drive
- Detergent Automation

Baskets and Racks

- Rackmatic height-adjustable top basket (3 stage)
- 2 foldable plate racks in bottom basket
- 1 x lever

Comfort

- Push button top controls
- Panel legend: Plain text (english)
- Remaining programme time indicator (min)
- Electronic delay timer: 1-24 hours

Programmes

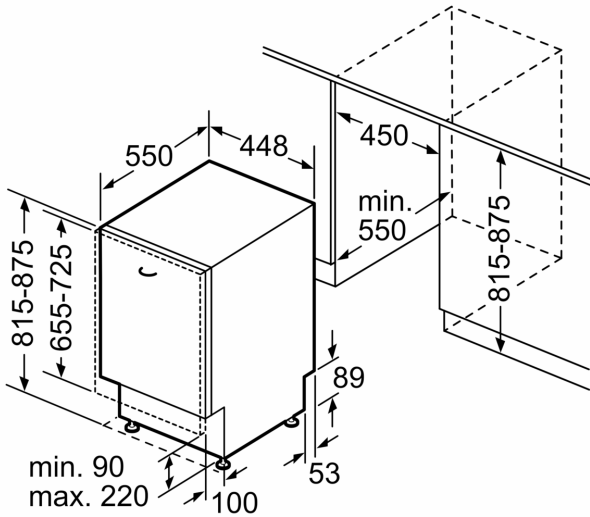
- AquaStop with guarantee
- Glass care system
- Incl. Steam protection plate

Performance

- Product dimensions (HxWxD): 81.5 x 44.8 x 55 cm

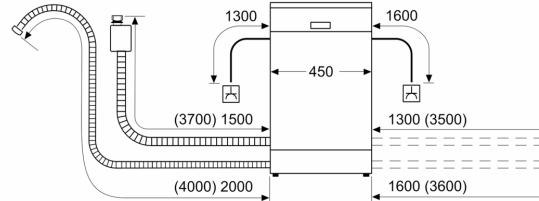
Innovation and Technology

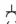
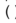
**Series 4, fully-integrated dishwasher,
45 cm
SPV4HMX65K**



measurements in mm

measurements in mm



 socket
 values with extension kit