

Series 8, Induction hob with integrated ventilation system, 80 cm, surface mount with frame PXX875D67E



- **DirectSelect Premium:** Direct, simple selection of the desired cooking zone, power and additional functions.
- **FlexInduction Zone:** Get more flexibility by combining the cooking zones into one big zone for placing small pots and large cookware.
- **PerfectFry:** For perfect browning of roasted foods thanks to sensor control with 5 power levels.
- **PowerBoost:** Up to 50% more power for faster heating.
- **ReStart:** if something boils over, the cooktop automatically turns itself off and saves the last selected setting.

Product name/family: Cooking zone ceramic
 Built-in / Free-standing: Built-in
 Energy input: Electric
 Min. required niche size for installation (HxWxD):223 x 750-750 x 490-490 mm
 Width of the appliance:816 mm
 Dimensions: 223 x 816 x 527 mm
 Dimensions of the packed product (HxWxD): 430 x 940 x 660 mm
 Net weight:27.0 kg
 Gross weight: 33.4 kg
 Residual heat indicator: Separate
 Location of control panel: Front
 Basic surface material:Ceramic
 Color of surface:Black, Stainless steel
 Color of frame:Stainless steel
 Length electrical supply cord: 110.0 cm
 Sealed Burners: No
 heating with booster:All
 Power of 2nd heating element (kW):3.3 kW
 Maximum output air extraction: 500 m³/h
 Boost position output recirculating:595.0 m³/h
 Maximum output recirculating air:499 m³/h
 Boost position air extraction: 622 m³/h
 Noise level:69 dB(A) re 1 pW
 Odour filter: No
 Operating Mode:Convertible
 Voltage: 220-240/380-415 V
 Frequency: 50-60 Hz
 Included accessories: 1 x Slider for unducted recirculation, 1 x Clean Air Plus odor filter

1 x Slider for unducted recirculation, 1 x Clean Air Plus odor filter

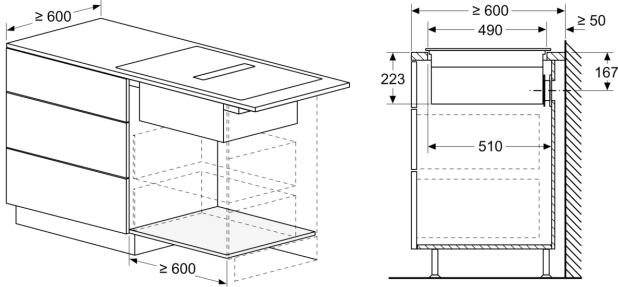
HEZ9SE030 Set of 2 pots and 1 pan, HEZ32WA00 Wireless food thermometer, HEZ390011 Stainless Steel roaster with glass lid, HEZ390012 Steaming Rack for Stainless Steel roaster, HEZ39050 Wireless temperature sensor for cooktop, HEZ390512 Teppan Yaki (large), HEZ390522 Griddle Plate, HEZ9ES100 Espresso maker 4 cups, HEZ9FE280 Iron pan Ø 18 / 28 cm, HEZ9FF010 Flex Pan, large, HEZ9FF030 Flex Pan set, 3 pcs., HEZ9FF040 Flex Pan set, 4 pcs., HEZ9SE040 4 pieces Set, HEZ9SE060 6 pieces Set, HEZ9TY010 Teppan Yaki, HEZ9VDKE1 Exhaust kit, HEZ9VDKR0 Recirculation kit 2 L-bow (70cm), HEZ9VDKR1 Recirculation kit S and L-bow (60cm), HEZ9VDKR2 Recirculation kit 1x L-bow, HEZ9VDSB1 90° flat duct bend horizontal, HEZ9VDSB2 90° flat duct L vertical, HEZ9VDSB3 90° flat duct M vertical, HEZ9VDSB4 90° flat duct S vertical, HEZ9VDSI0 Adapter round-flat, HEZ9VDSI1 90° Adapter round-flat, HEZ9VDSM1 Straight tube 500mm, HEZ9VDSM2 Straight tube 1000mm, HEZ9VDSS1 Connector sleeve (female), HEZ9VDSS2 Flex sleeve (female), HEZ9VEDU0 Acoustics Filter, HEZ9VRCR0 cleanAir recirculation replenishment fil, HEZ9VRCR1 Clean Air Plus odor filter (replacement), HEZ9VRPD1 Plinth Diffusor



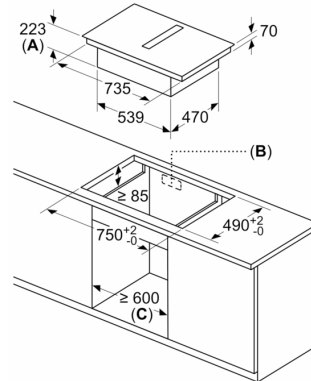
**Series 8, Induction hob with
integrated ventilation system, 80 cm,
surface mount with frame
PXX875D67E**

Series 8, Induction hob with integrated ventilation system, 80 cm, surface mount with frame PXX875D67E

measurements in mm

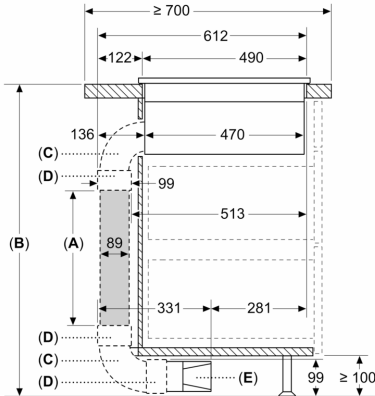


measurements in mm



- A: Recess depth
- B: Cut-out in back panel required for pipework. Exact size and position can be taken from specific drawing.
- C: All 80 cm width class models can be installed in 60 cm wide furniture by adjusting the side panels.

Measurements in mm

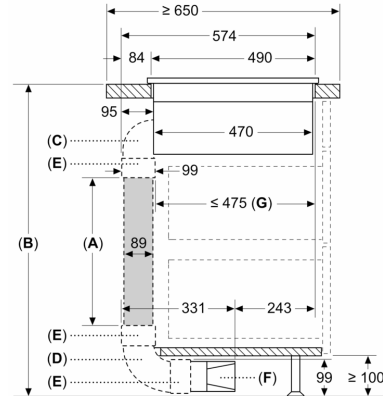


- A: Tube length
 - B: Kitchen height
 - C: 90° L-size bow
 - D: Connector sleeve
 - E: Diffusor
- Ducting kit available for ≥ 700 mm depth worktops and up to 960 mm height

The installer has to select the tube length and if necessary cut it according to the kitchen height

| A | B |
|------|------------|
| 500 | ≤ 960 |
| 1000 | > 960 |

Measurements in mm

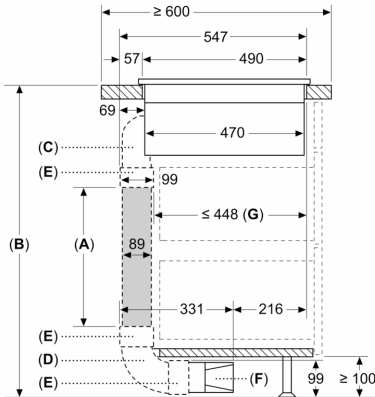


- A: Tube length
- B: Kitchen height
- C: 90° M-size bow
- D: 90° L-size bow
- E: Connector sleeve
- F: Diffusor
- G: Shortened Drawer

The installer has to select the tube length and if necessary cut it according to the kitchen height

| A | B |
|------|------------|
| 500 | ≤ 940 |
| 1000 | > 940 |

Measurements in mm



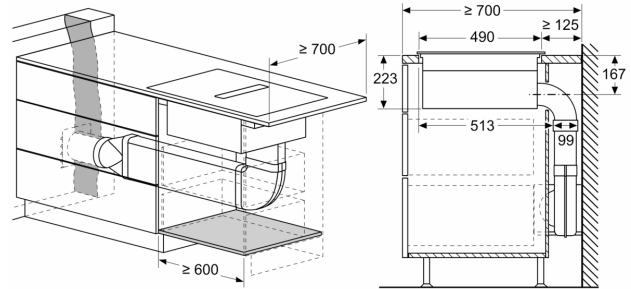
- A: Tube length
- B: Kitchen height
- C: 90° S-size bow
- D: 90° L-size bow
- E: Connector sleeve
- F: Diffusor
- G: Shortened Drawer

Ducting kit available for ≥ 600 mm depth worktops and up to 960 mm height

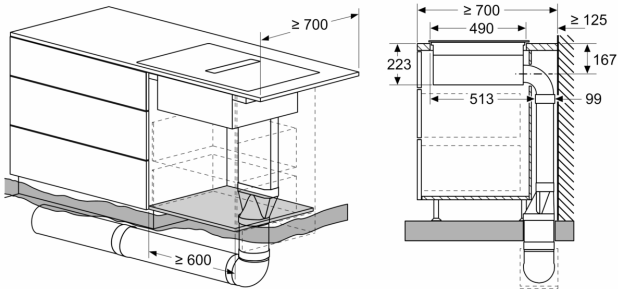
The installer has to select the tube length and if necessary cut it according to the kitchen height

| A | B |
|------|------------|
| 500 | ≤ 990 |
| 1000 | > 990 |

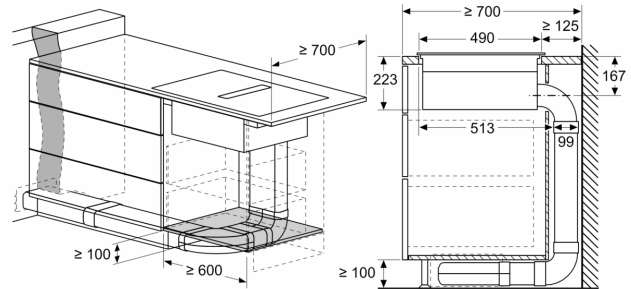
measurements in mm



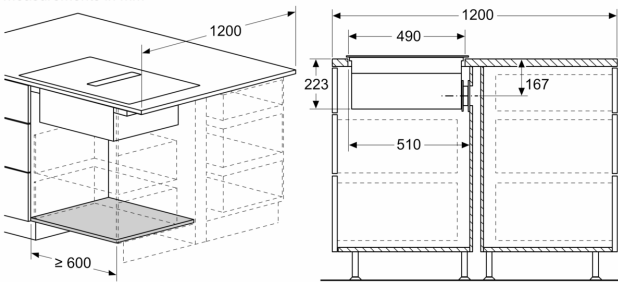
measurements in mm



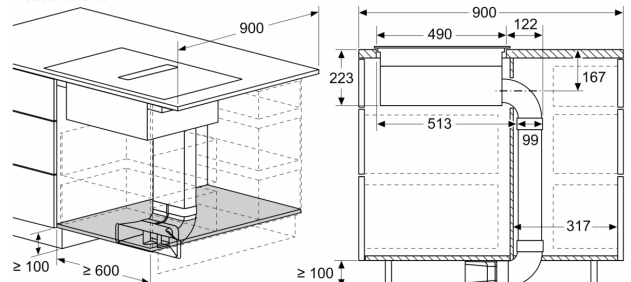
measurements in mm

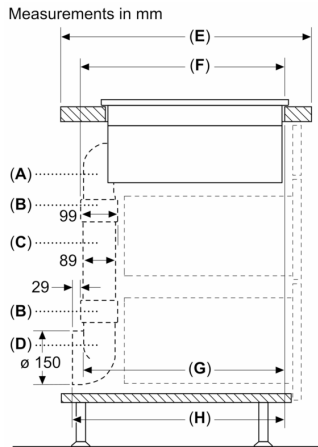


measurements in mm



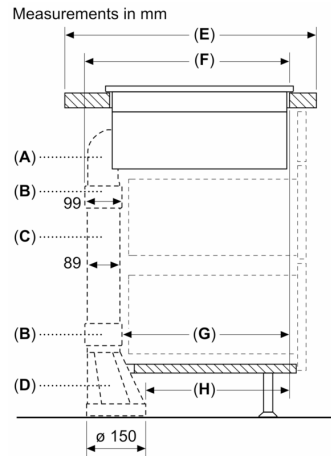
measurements in mm





| A | E | F | G | H |
|--------|-------|-----|-----|-----|
| S-size | ≥ 600 | 547 | 545 | 579 |
| M-size | ≥ 650 | 574 | 569 | 603 |
| L-size | ≥ 700 | 612 | 609 | 643 |

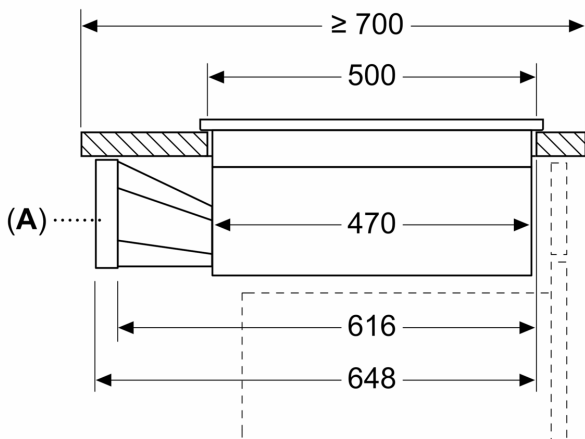
- A: 90° Bow
- B: Connector sleeve
- C: Straight tube
- D: 90° Adapter round-flat



| A | E | F | G | H |
|--------|-------|-----|-----|-----|
| S-size | ≥ 600 | 547 | 451 | 389 |
| M-size | ≥ 650 | 574 | 475 | 413 |
| L-size | ≥ 700 | 612 | 515 | 453 |

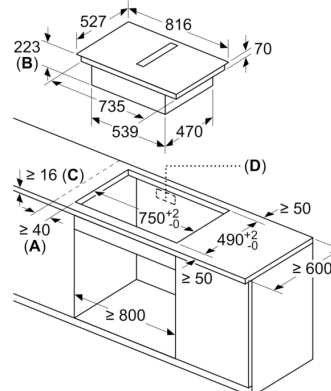
- A: 90° Bow
- B: Connector sleeve
- C: Straight tube
- D: Straight adapter round-flat

Measurements in mm



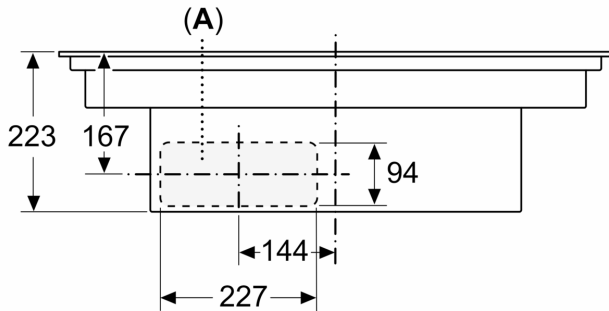
- A: Adapter round-flat

measurements in mm

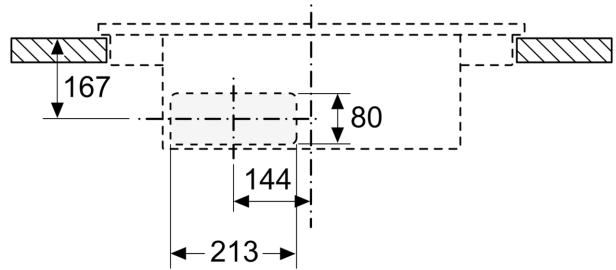


- A: Minimum distance from the hob cut-out to the wall
- B: Recessing depth
- C: The worktop into which the hob is installed must withstand loads of approx. 60kg; suitable substructures must be used if required.
- D: Cut-out in back panel required for pipework. Exact size and position can be taken from specific drawing.

measurements in mm
Front view

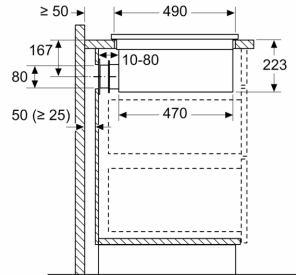


measurements in mm
Front view - unit cut-out
for unducted recirculation



A: Connected directly at the rear

measurements in mm
Side view



When installing directly against outer walls that are not insulated ($\mu \geq 0.5 \text{ W/m}^2\text{°C}$), we recommend using partially or fully ducted recirculation configurations.

measurements in mm
Front view

