

Series 6, Induction hob with integrated ventilation system, 70 cm, surface mount without frame PVQ731F15E



- **DirectSelect:** Direct, simple selection of the desired cooking zone, power and additional functions.
- **PowerBoost:** Up to 50% more power for faster heating.
- **ReStart:** if something boils over, the cooktop automatically turns itself off and saves the last selected setting.

1 x Slider for unducted recirculation, 1 x Clean Air Plus odor filter

HEZ9ES100 Espresso maker 4 cups, HEZ9FE280 Iron pan Ø 18 / 28 cm, HEZ9SE030 Set of 2 pots and 1 pan, HEZ9SE040 4 pieces Set, HEZ9SE060 6 pieces Set, HEZ9VDKE1 Exhaust kit, HEZ9VDKRO Recirculation kit 2 L-bow (70cm), HEZ9VDKR1 Recirculation kit S and L-bow (60cm), HEZ9VDKR2 Recirculation kit 1x L-bow, HEZ9VDSB1 90° flat duct bend horizontal, HEZ9VDSB2 90° flat duct L vertical, HEZ9VDSB3 90° flat duct M vertical, HEZ9VDSB4 90° flat duct S vertical, HEZ9VDSI0 Adapter round-flat, HEZ9VDSI1 90° Adapter round-flat, HEZ9VDSM1 Straight tube 500mm, HEZ9VDSM2 Straight tube 1000mm, HEZ9VDSS1 Connector sleeve (female), HEZ9VDSS2 Flex sleeve (female), HEZ9VEDU0 Acoustics Filter, HEZ9VRCR0 cleanAir recirculation replenishment fil, HEZ9VRCR1 Clean Air Plus odor filter (replacement), HEZ9VRPD1 Plinth Diffusor

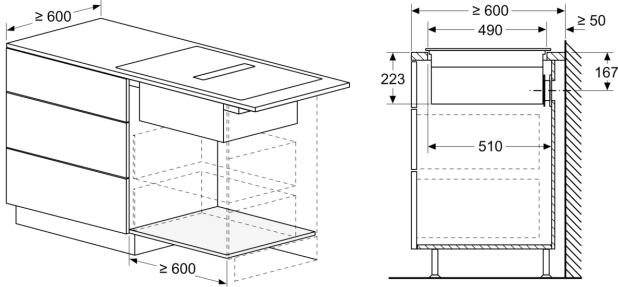
Product name/family: Cooking zone ceramic
 Built-in / Free-standing: Built-in
 Energy input: Electric
 Min. required niche size for installation (HxWxD):223 x 560-560 x 490-490 mm
 Width of the appliance: 710 mm
 Dimensions: 223 x 710 x 522 mm
 Dimensions of the packed product (HxWxD): 430 x 940 x 660 mm
 Net weight: 23.6 kg
 Gross weight: 30.0 kg
 Residual heat indicator: Separate
 Location of control panel: Front
 Basic surface material: Ceramic
 Color of surface: Black
 Length electrical supply cord: 110.0 cm
 Sealed Burners: No
 heating with booster: All
 Power of 2nd heating element (kW): 3.6 kW
 Number of speed settings:
 Maximum output air extraction: 500 m³/h
 Boost position output recirculating: 595.0 m³/h
 Maximum output recirculating air: 487 m³/h
 Boost position air extraction: 622 m³/h
 Noise level: 69 dB(A) re 1 pW
 Odour filter: No
 Operating Mode: Convertible
 Voltage: 220-240/380-415 V
 Frequency: 50-60 Hz
 Included accessories: 1 x Slider for unducted recirculation, 1 x Clean Air Plus odor filter



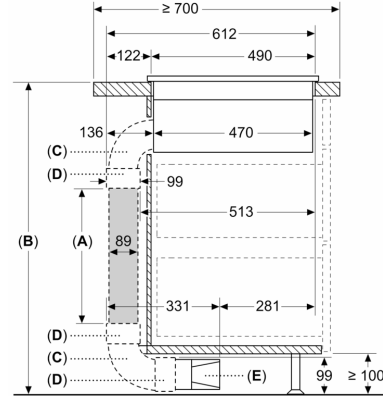
**Series 6, Induction hob with
integrated ventilation system, 70 cm,
surface mount without frame
PVQ731F15E**

Series 6, Induction hob with integrated ventilation system, 70 cm, surface mount without frame PVQ731F15E

measurements in mm



Measurements in mm



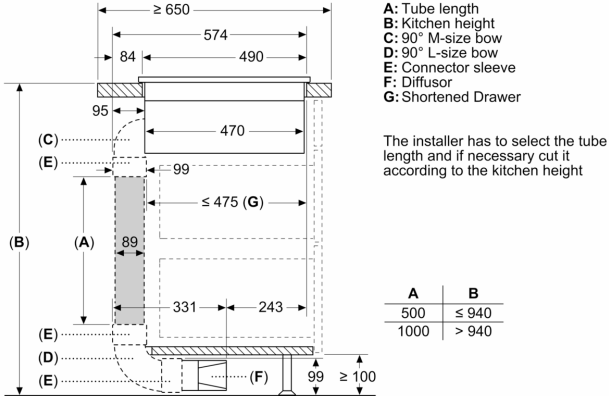
A: Tube length
B: Kitchen height
C: 90° L-size bow
D: Connector sleeve
E: Diffusor

Ducting kit available for ≥ 700 mm depth worktops and up to 960 mm height

The installer has to select the tube length and if necessary cut it according to the kitchen height

A	B
500	≤ 960
1000	> 960

Measurements in mm

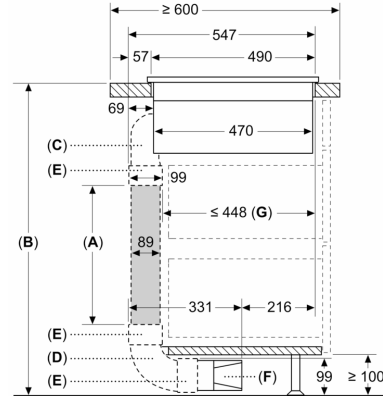


A: Tube length
B: Kitchen height
C: 90° M-size bow
D: 90° L-size bow
E: Connector sleeve
F: Diffusor
G: Shortened Drawer

The installer has to select the tube length and if necessary cut it according to the kitchen height

A	B
500	≤ 940
1000	> 940

Measurements in mm



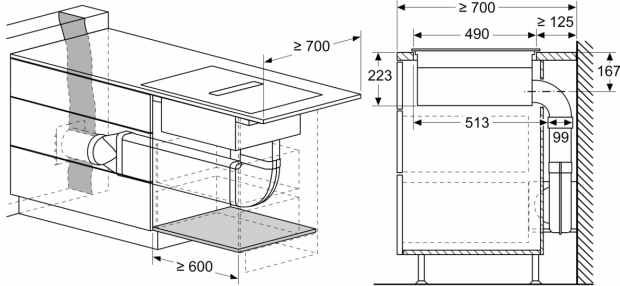
A: Tube length
B: Kitchen height
C: 90° S-size bow
D: 90° L-size bow
E: Connector sleeve
F: Diffusor
G: Shortened Drawer

Ducting kit available for ≥ 600 mm depth worktops and up to 960 mm height

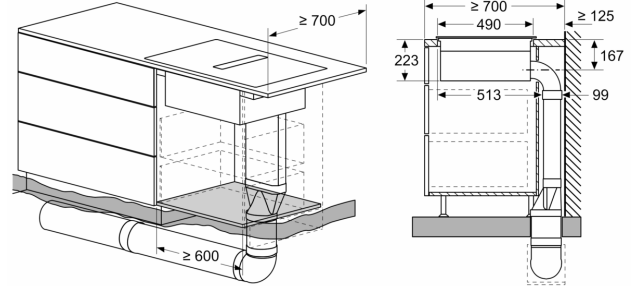
The installer has to select the tube length and if necessary cut it according to the kitchen height

A	B
500	≤ 990
1000	> 990

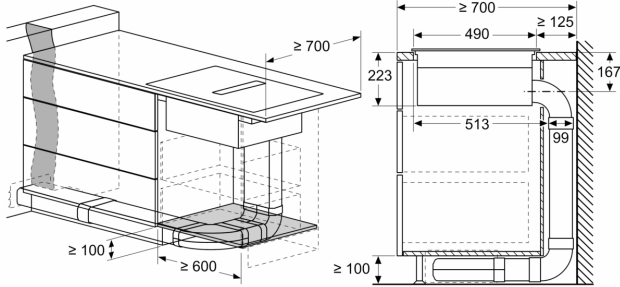
measurements in mm



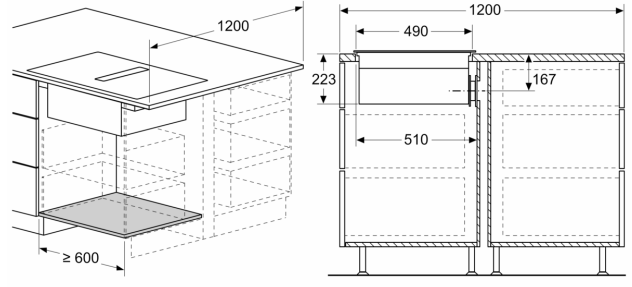
measurements in mm



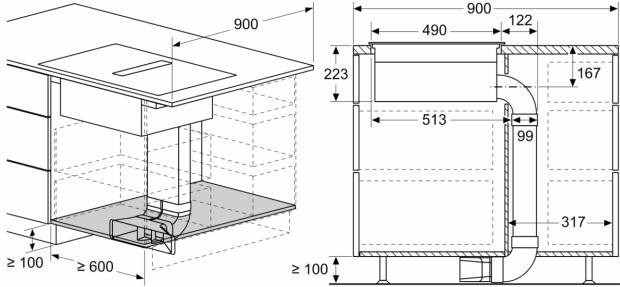
measurements in mm



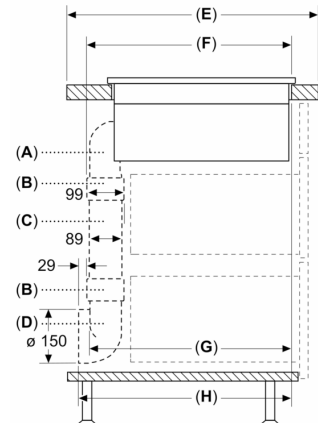
measurements in mm



measurements in mm

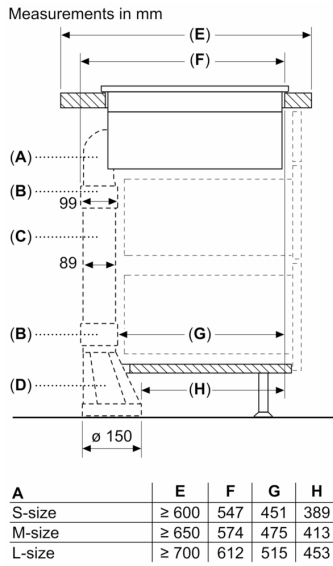


Measurements in mm

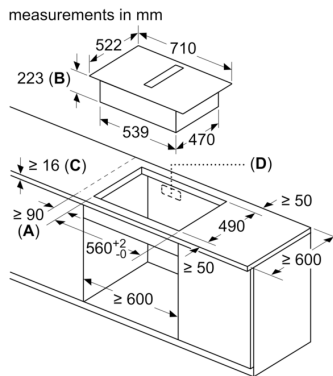


A	E	F	G	H
S-size	≥ 600	547	545	579
M-size	≥ 650	574	569	603
L-size	≥ 700	612	609	643

A: 90° Bow
 B: Connector sleeve
 C: Straight tube
 D: 90° Adapter round-flat

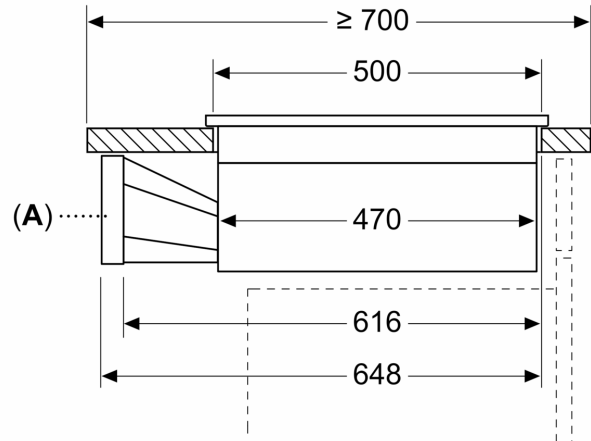


A: 90° Bow
 B: Connector sleeve
 C: Straight tube
 D: Straight adapter round-flat



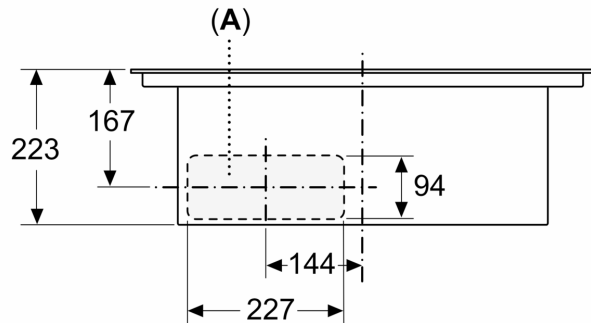
A: Minimum distance from the hob cut-out to the wall
 B: Recessing depth
 C: The worktop into which the hob is installed must withstand loads of approx. 60kg; suitable substructures must be used if required.
 D: Cut-out in back panel required for pipework. Exact size and position can be taken from specific drawing.

Measurements in mm



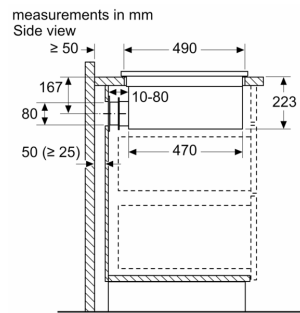
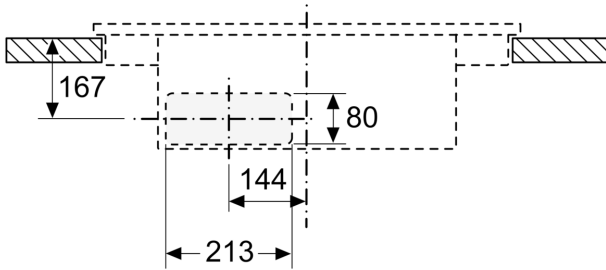
A: Adapter round-flat

measurements in mm
 Front view



A: Connected directly at the rear

measurements in mm
 Front view - unit cut-out
 for unducted recirculation



When installing directly against outer walls that are not insulated ($\mu \geq 0.5 \text{ W/m}^2\text{°C}$), we recommend using partially or fully ducted recirculation configurations.

measurements in mm
 Front view

