

**Series 4, gas hob, Tempered glass,
Black
PMD93A31AX**

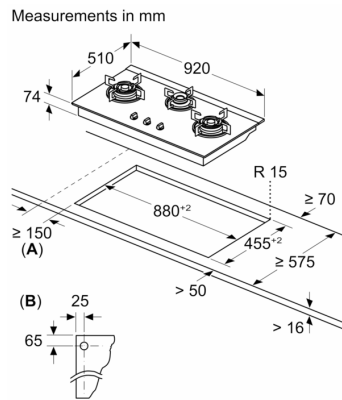


Product name/family: gas hob
 Built-in / Free-standing: Built-in
 Energy input: Gas
 Total number of positions that can be used at the same time: 3
 Type of control setting devices: sword knobs
 Min. required niche size for installation (HxWxD): 80 x 880-880 x 455-455 mm
 Width of the appliance: 920 mm
 Dimensions: 150 x 920 x 510 mm
 Dimensions of the packed product (HxWxD): 239 x 990 x 571 mm
 Net weight: 17.2 kg
 Gross weight: 20.8 kg
 Residual heat indicator: without
 Location of control panel: Front
 Basic surface material: Tempered glass
 Color of surface: Black, Black
 Color of frame: Black, Black
 Knob Material: Plastic
 Sealed Burners: No
 Power of 2nd heating element (kW): 4.9 kW
 Gas connection rating: 11800 W
 Voltage: 1,5 V
 Energy input: Gas
 Gas type: Liquidgas G30,31 28-30/37 mbar
 Appliance Dimensions (h x w x d) (in): x 480
 Dimensions of the packed product: 9.40 x 22.48 x 38.97
 Net weight: 38.000 lbs
 Gross weight: 46.000 lbs
 Total number of positions that can be used at the same time: 3
 Min. required niche size for installation (HxWxD): 80 x 880-880 x 455-455 mm
 Dimensions: 150 x 920 x 510 mm
 Dimensions of the packed product (HxWxD): 239 x 990 x 571 mm
 Net weight: 17.2 kg
 Gross weight: 20.8 kg



4 242005 258154

**Series 4, gas hob, Tempered glass,
Black
PMD93A31AX**



A: Min. distance from the hob cut-out to the wall

B: Position of gas connection in the cut-out

A space of min. 100 mm in height should be kept available below the hob