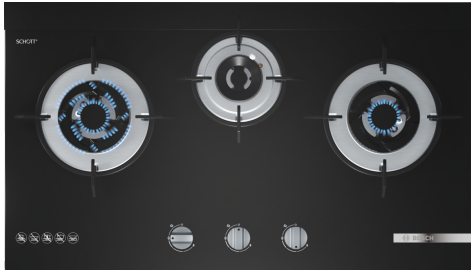


**Series 4, gas hob, 78 cm, Tempered glass, Black
PMD83A31AX**



The tempered-glass gas hob: offers you a sophisticated design and is easy to clean.

Product name/family: gas hob
 Built-in / Free-standing: Built-in
 Energy input: Gas
 Total number of positions that can be used at the same time: 3
 Type of control setting devices: sword knobs
 Min. required niche size for installation (HxWxD): 80 x 700-700 x 400-400 mm
 Width of the appliance: 780 mm
 Dimensions: 150 x 780 x 450 mm
 Dimensions of the packed product (HxWxD): 205 x 857 x 551 mm
 Net weight: 13.8 kg
 Gross weight: 16.0 kg
 Residual heat indicator: without
 Location of control panel: Front
 Basic surface material: Tempered glass
 Color of surface: Black, Black
 Color of frame: Black, Black
 Knob Material: Plastic
 Sealed Burners: No
 Power of 2nd heating element (kW): 4.9 kW
 Gas connection rating: 11800 W
 Voltage: 1,5 V
 Energy input: Gas
 Gas type: Liquidgas G30,31 28-30/37 mbar
 Appliance Dimensions (h x w x d) (in): x x
 Dimensions of the packed product: 8.07 x 21.69 x 33.74
 Net weight: 31.000 lbs
 Gross weight: 35.000 lbs
 Total number of positions that can be used at the same time: 3
 Min. required niche size for installation (HxWxD): 80 x 700-700 x 400-400 mm
 Dimensions: 150 x 780 x 450 mm
 Dimensions of the packed product (HxWxD): 205 x 857 x 551 mm
 Net weight: 13.8 kg
 Gross weight: 16.0 kg



**Series 4, gas hob, 78 cm, Tempered
glass, Black
PMD83A31AX**

**The tempered-glass gas hob: offers you a
sophisticated design and is easy to clean.**

Cooking Zone

- 3 PC

Design

- Sword control knobs

Key Functions

- Pure brass burner

- Preset nozzle: Liquid gas (28-30/37mbar)

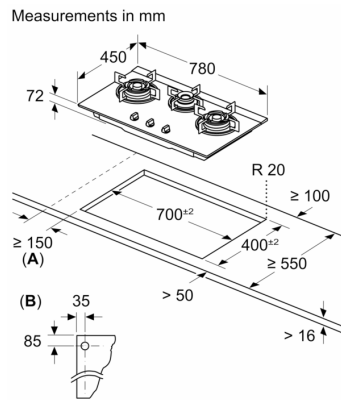
- Ignition via control knob

Technical Information

- Dimensions of the product (HxWxD mm) : 80 x 780 x 450

- Required niche size for installation (HxWxD mm) : 80 x 700-700 x
400-400

Series 4, gas hob, 78 cm, Tempered glass, Black PMD83A31AX



A: Min. distance from the hob cut-out to the wall

B: Position of gas connection in the cut-out

A space of min. 100 mm in height should be kept available below the hob