

## Series 4, electric hob, 60 cm, Black, PKK611BB8E



- **TouchSelect:** Selection of the desired cooking zone and easy setting of the desired power level.
- **ReStart:** if something boils over, the cooktop automatically turns itself off and saves the last selected setting.

- HEZ32WA00 Wireless food thermometer
- HEZ390090 Wok Set consisting of 3 Items
- HEZ392617 Intermediate bottom
- HEZ9FE280 Iron pan Ø 18 / 28 cm
- HEZ9SE030 Set of 2 pots and 1 pan

Product name/family: ..... Cooking zone ceramic  
 Built-in / Free-standing: ..... Built-in  
 Energy input: ..... Electric  
 Total number of positions that can be used at the same time: ..... 3  
 Min. required niche size for installation (HxWxD): ..... 45 x 560-560 x 490-500 mm  
 Width of the appliance: ..... 592 mm  
 Dimensions: ..... 45 x 592 x 522 mm  
 Dimensions of the packed product (HxWxD): ..... 100 x 750 x 590 mm  
 Net weight: ..... 7.6 kg  
 Gross weight: ..... 8.3 kg  
 Residual heat indicator: ..... Separate  
 Location of control panel: ..... Front  
 Basic surface material: ..... Ceramic  
 Color of surface: ..... Black  
 Length electrical supply cord: ..... 100.0 cm  
 Sealed Burners: ..... No  
 Power of 2nd heating element (kW): ..... 2 ; 2.7 kW  
 Power of 5th heating element (kW): ..... 1.2 kW  
 Connection Rating: ..... 5700 W  
 Voltage: ..... 220-240 V  
 Frequency: ..... 50; 60 Hz  
 Energy input: ..... Electric  
 Plug type: ..... no plug  
 Appliance Dimensions (h x w x d) (in): ..... x x  
 Dimensions of the packed product: ..... 3.93 x 23.22 x 29.52  
 Net weight: ..... 17.000 lbs  
 Gross weight: ..... 18.000 lbs  
 Total number of positions that can be used at the same time: ..... 3  
 Length electrical supply cord: ..... 100.0 cm  
 Min. required niche size for installation (HxWxD): ..... 45 x 560-560 x 490-500 mm  
 Dimensions: ..... 45 x 592 x 522 mm  
 Dimensions of the packed product (HxWxD): ..... 100 x 750 x 590 mm  
 Net weight: ..... 7.6 kg  
 Gross weight: ..... 8.3 kg



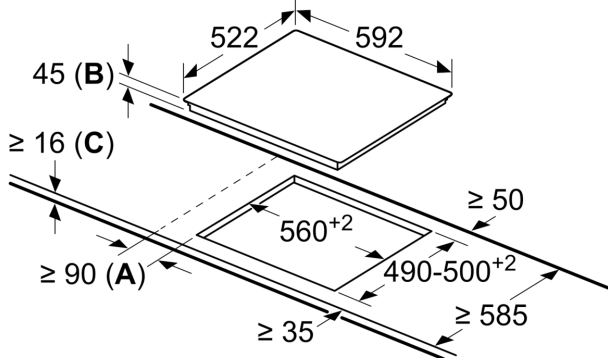


**Series 4, electric hob, 60 cm, Black,  
PKK611BB8E**

---

**Series 4, electric hob, 60 cm, Black,  
PKK611BB8E**

measurements in mm



- A:** Minimum distance from the hob cut-out to the wall.
- B:** Recessed depth
- C:** With fitted oven underneath min. 20, possibly more; see space requirements for the oven.