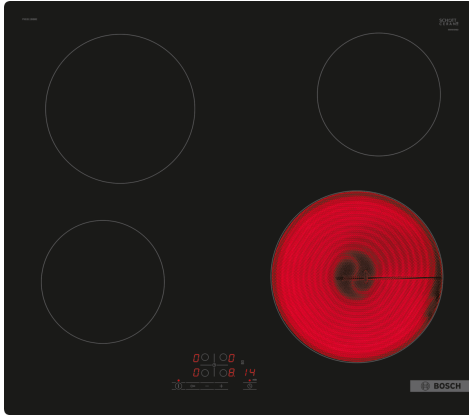


Series 4, electric hob, 60 cm, Black, PKE611BB8E



- **TouchSelect:** Selection of the desired cooking zone and easy setting of the desired power level.
- **ReStart:** if something boils over, the cooktop automatically turns itself off and saves the last selected setting.

HEZ32WA00 Wireless food thermometer
 HEZ392617 Intermediate bottom
 HEZ9FE280 Iron pan Ø 18 / 28 cm
 HEZ9SE030 Set of 2 pots and 1 pan

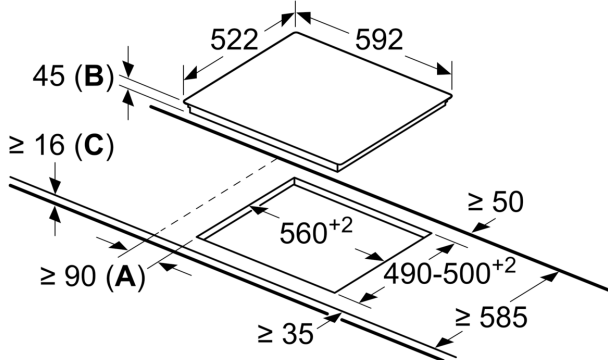
Product name/family: Cooking zone ceramic
 Built-in / Free-standing: Built-in
 Energy input: Electric
 Total number of positions that can be used at the same time: 4
 Min. required niche size for installation (HxWxD): 45 x 560-560 x 490-500 mm
 Width of the appliance: 592 mm
 Dimensions: 45 x 592 x 522 mm
 Dimensions of the packed product (HxWxD): 100 x 750 x 590 mm
 Net weight: 7.6 kg
 Gross weight: 8.3 kg
 Residual heat indicator: Separate
 Location of control panel: Front
 Basic surface material: Ceramic
 Color of surface: Black
 Length electrical supply cord: 100.0 cm
 Sealed Burners: No
 Power of heating element (kW): 1.2 kW
 Power of 3rd heating element (kW): 2 kW
 Power of 5th heating element (kW): 1.2 kW
 Connection Rating: 6600 W
 Voltage: 220-240 V
 Frequency: 50; 60 Hz
 Energy input: Electric
 Plug type: no plug
 Appliance Dimensions (h x w x d) (in): x x
 Dimensions of the packed product: 3.93 x 23.22 x 29.52
 Net weight: 17.000 lbs
 Gross weight: 18.000 lbs
 Total number of positions that can be used at the same time: 4
 Length electrical supply cord: 100.0 cm
 Min. required niche size for installation (HxWxD): 45 x 560-560 x 490-500 mm
 Dimensions: 45 x 592 x 522 mm
 Dimensions of the packed product (HxWxD): 100 x 750 x 590 mm
 Net weight: 7.6 kg
 Gross weight: 8.3 kg



**Series 4, electric hob, 60 cm, Black,
PKE611BB8E**

**Series 4, electric hob, 60 cm, Black,
PKE611BB8E**

measurements in mm



- A:** Minimum distance from the hob cut-out to the wall.
- B:** Recessed depth
- C:** With fitted oven underneath min. 20, possibly more; see space requirements for the oven.