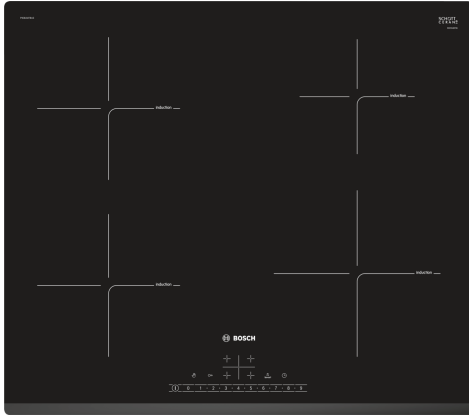


**Series 6, induction hob, 60 cm, Black
PIE631FB1E**



- HEZ390090 Wok Set consisting of 3 Items
- HEZ9ES100 Espresso maker 4 cups
- HEZ9FE280 Iron pan Ø 18 / 28 cm
- HEZ9SE030 Set of 2 pots and 1 pan
- HEZ9SE040 4 pieces Set
- HEZ9SE060 6 pieces Set

**The induction hob: cook fast, clean and
safely while using very little energy.**

Product name/family: Cooking zone ceramic
 Built-in / Free-standing: Built-in
 Energy input: Electric
 Total number of positions that can be used at the same time: 4
 Min. required niche size for installation (HxWxD):51 x 560-560 x 490-500 mm
 Width of the appliance: 592 mm
 Dimensions: 51 x 592 x 522 mm
 Dimensions of the packed product (HxWxD): 126 x 753 x 603 mm
 Net weight: 11.6 kg
 Gross weight: 13.8 kg
 Residual heat indicator: Separate
 Location of control panel: Front
 Basic surface material: Ceramic
 Color of surface: Black
 Length electrical supply cord: 110.0 cm
 Sealed Burners: No
 heating with booster: All
 Power of heating element (kW): 1.8 kW
 Power of 3rd heating element (kW): 1.8 kW
 Power of 5th heating element (kW): 1.4 kW
 Power of heating element (kW in boost): [3.1] kW
 Power of 3rd heating element (kW in boost): [3.1] kW
 Power of 5th heating element (kW in boost): [2.2] kW
 Connection Rating: 7400 W
 Voltage: 220-240 V
 Frequency: 50; 60 Hz
 Energy input: Electric
 Plug type: no plug
 Appliance Dimensions (h x w x d) (in): x x
 Dimensions of the packed product: 4.96 x 23.74 x 29.64
 Net weight: 26.000 lbs
 Gross weight: 31.000 lbs
 Total number of positions that can be used at the same time: 4
 Length electrical supply cord: 110.0 cm
 Min. required niche size for installation (HxWxD):51 x 560-560 x 490-500 mm
 Dimensions: 51 x 592 x 522 mm
 Dimensions of the packed product (HxWxD): 126 x 753 x 603 mm
 Net weight: 11.6 kg
 Gross weight: 13.8 kg



Series 6, induction hob, 60 cm, Black PIE631FB1E

The induction hob: cook fast, clean and safely while using very little energy.

Cooking Zone

- 4 induction cooking zones
- 17 power levels
- Cooking zones: 1 x Ø 180 mm, 1800 W (max. Power level 3100 W)
Induction; 1 x Ø 180 mm, 1800 W (max. Power level 3100 W)
Induction; 1 x Ø 145 mm, 1400 W (max. Power level 2200 W)
Induction; 1 x Ø 210 mm, 2200 W (max. Power level 3700 W)
Induction

Design

- Frameless with faceted design with ceramic glass
- DirectSelect touch control panel

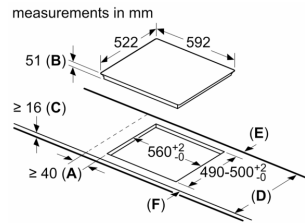
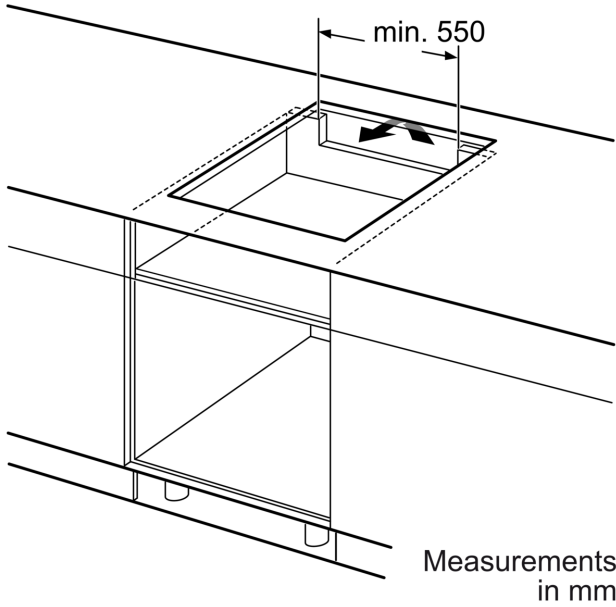
Key Functions

- Automatic pan recognition sensor PowerManagement Function
Safety switch-off Childproof lock Wipe protection function
- QuickStart Function
- ReStart Function
- Digital 2 stage residual heat indicator
- Boost function for all zones

Dimensions

- Dimensions of the product (HxWxD mm) : 51 x 592 x 522
- Length of main cable: 110 cm
- Electrical connection rating: 7400 W
- Required niche size for installation (HxWxD mm) : 51 x 560 - 560 x 490-500

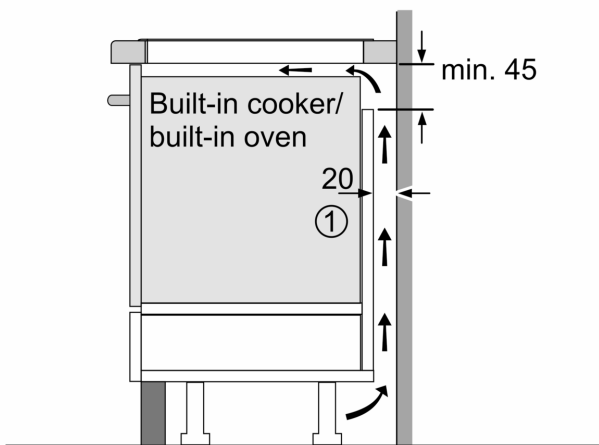
**Series 6, induction hob, 60 cm, Black
PIE631FB1E**



- A:** Minimum distance from the hob cut-out to the wall.
- B:** Recessed depth
- C:** The clearance between the surface of the worktop and the top of the front of the oven must be 30 mm. See space requirements for the oven.

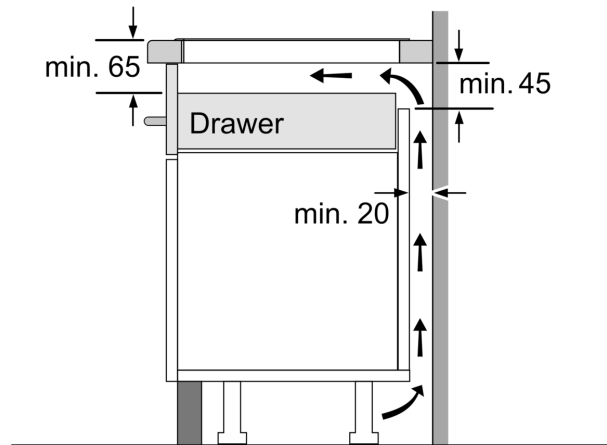
The worktop into which the hob is installed must withstand loads of approx. 60 kg; suitable substructures must be used if required.

D	E	F
585-600	50	≥ 35
> 600	≥ 50	≥ 50



①
Ventilation gap must
be present

All measurements in mm



Measurements in mm