

**Series 4, French Door Bottom
freezer, multi door, 183 x 90.5 cm,
Inox-easyclean
KFN96APEAG**



- **LED lighting:** keep your groceries in perfect view.

Energy Efficiency Class (Regulation (EU) 2017/1369): E
Average annual energy consumption in kilowatt hour per year (kWh/a) (EU) 2017/1369:333 kWh/annum
Sum of volume of frozen compartments (EU 2017/1369): 200 l
Sum of volume of chill- and unfrozen compartments (EU 2017/1369): 405 l
Airborne acoustical noise emissions (EU 2017/1369):	..38 dB(A) re 1 pW
Airborne acoustical noise emission class (EU 2017/1369): C
Built-in / Free-standing:Free-standing
Number of compressors: 1
Number of independent cooling systems: 1
Width of the appliance: 905 mm
Height: 1830 mm
Depth of the product: 731 mm
Net weight: 118.3 kg
Door panel options: Not possible
Door hinge:left and right
Number of Adjustable Shelves in fridge compartment: 3
Shelves for Bottles: No
Frost free system: Fridge and freezer
Interior ventilator: Yes
Reversible Door Hinge: No
Length electrical supply cord: 240.0 cm
Noise level:38 dB(A) re 1 pW
Multi-Flow Air Tower: Yes
Fast cooling switch:Yes
Fast freezing switch:Yes
Temperature Controlled Drawer: No
Humidity Control Drawer:No
Number of Door Bins - Refrigerator:4
Door bin adjustability - Refrigerator: Yes
Tilt-out door bins in fridge:Yes
Gallon Storage:Yes
Number of Gallon storage: 2
Motorized Shelf: No
Material of the shelves: Safety glass
Door opened indicator freezer:Yes
Automatic motor-driven ice-maker: No
Fuse protection: 10 A
Voltage: 220-240 V
Frequency: 50-60 Hz
Storage Period in Event of Power Failure (h): 15 h
Door panel options: Not possible
Noise level:38 dB(A) re 1 pW
Energy Star Qualified:No
Plug type: GB plug
Required cutout/niche size for installation (in):X
Dimensions of the packed product: 74.99 x 39.29 x 30.70
Net weight:261.000 lbs
Gross weight: 284.000 lbs



Series 4, French Door Bottom freezer, multi door, 183 x 90.5 cm, Inox-easyclean KFN96APEAG

- Free-standing-refrigerator >= 3 door, NoFrost
- inox EasyClean Doors

Consumption

Design and Styling

- Door inox EasyClean, side panels Metallic chrome
- Classic door , Door inox EasyClean, side panels Metallic chrome
- LED interior light in fridge section
- Interior with metal applications

Convenience & Safety

- 7 segment electronic control
- Supercool function with automatic
- Automatic defrost in fridge section
- acoustic for Fridge and Freeze, Optical warning system Door open
- Acoustic Warning System, Optical Warning System by Temperatur increase

Fridge Compartment

- Multi Airflow-System
- 2door trays (large)
- 2 door trays (small)
- none/0
- Dairy compartment

Freshness System

Freezer Compartment

- 6 transparent freezer drawers
- 1 Ice cube tray
- Without Illumination in freezer section

Appliance Dimension

- Appliance Height: 1830 mm
- Appliance Width:905 mm
- Appliance Depth:731 mm

TECHNICAL INFORMATION

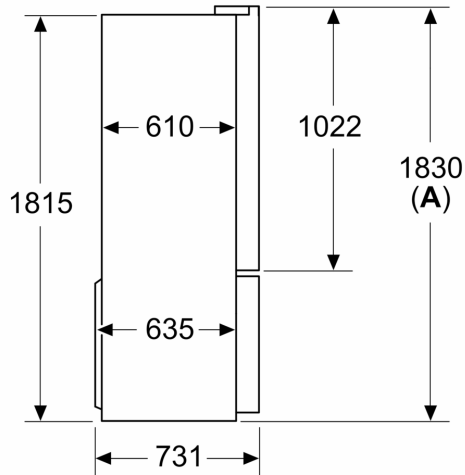
- Rated Voltage 220 - 240 V

Accessories

- Based on the results of the standard 24-hour test. Actual consumption depends on usage/position of the appliance.
- Acoustic Warning System
- 2 ldoor shelf, large
- LED interior light

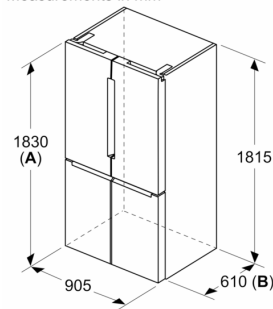
**Series 4, French Door Bottom
freezer, multi door, 183 x 90.5 cm,
Inox-easyclean
KFN96APEAG**

Measurements in mm



A: Front is adjustable 1830–1847 mm, with front levelling feet fully extended

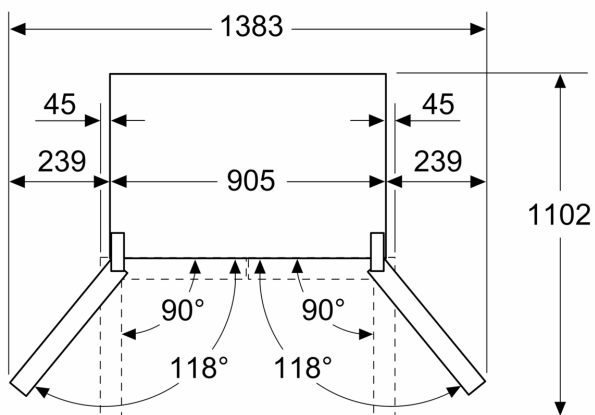
Measurements in mm



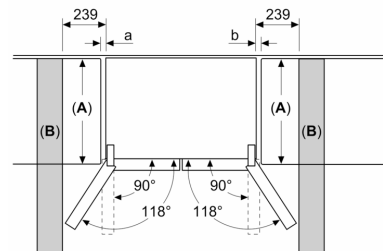
A: Front is adjustable 1830–1847 mm, with front levelling feet fully extended

B: Add 25 mm for fixed spacers on back

Measurements in mm



Measurements in mm



A	a	b
≤ 600	0	0
600 < A ≤ 650	45	45
650 < A ≤ 700	60	60
> 700	239	239

A: Kitchen cabinet or worktop depth

B: Wall
Drawers can be pulled and taken out with door open to 90°