

Series 4, Built-in oven with added steam function, 60 x 60 cm, Black HUA736EA0K



1 x combination grid, 1 x universal pan, 1 x air fry & grill tray, 1 x deep tray

HEZ317000 Pizza pan, enamelled, HEZ327000 Pizza stone, HEZ333001 Lid for professional pan, HEZ530000 Half tray, HEZ531000 Baking tray, enamelled, HEZ531010 Baking tray, non-stick ceramic coated, HEZ532000 Multipurpose pan, enamelled, HEZ532010 Universal pan, non-stick ceramic coated, HEZ533000 Professional pan, enamelled, HEZ538000 1fold telescopic rail, level independent, HEZ625071 Grill tray, anthracite, HEZ633001 Lid for professional pan, enamelled, HEZ633070 Professional pan with grid, enamelled, HEZ634000 Baking and roasting grid, HEZ636000 Glass pan, HEZ638000 Full ext rails, level independent, HEZ660050 Cover Strip, HEZ915003 Glass roasting dish, 5,4 L, HEZG0AS00 Connecting cable 3m

The built-in oven with added steam: achieve delicious baking results thanks to hotair steam heating mode.

- **3D Hotair:** even heat distribution for perfect results on up to three levels.
- **AutoPilot 10:** every dish is a perfect success thanks to 10 pre-set automatic programmes.
- **Cleaning Assistance:** less cleaning effort
- **Hotair Gentle:** saves energy while baking and roasting.
- **HotAir Safety Fan:** perfect cooking, perfect protection

Gross weight: 37.2 kg
 Built-in / Free-standing: Built-in
 Integrated Cleaning system: EcoClean Direct program, Hydrolytic
 Required niche size for installation (HxWxD): 585-595 x 560-568 x 550 mm
 Dimensions: 595x594x548 mm
 Dimensions of the packed product (HxWxD): 660x650x670 mm
 Control Panel Material: Glass
 Door Material: Glass
 Net weight: 34.6 kg
 Usable volume of cavity: 76 l
 Cooking method: Air fry, Full width grill, Hotair gentle, Hot Air, Conventional heat, Bottom heat, Hot air grilling
 Length electrical supply cord: 120 cm
 Pull-out system: 1-level
 Included accessories: 1 x combination grid, 1 x universal pan, 1 x air fry & grill tray, 1 x deep tray
 Broil Element Wattages cavity 1: 2700 W
 Convection Element Wattages cavity 1: 2200 W
 Energy efficiency rating: A
 Energy consumption per cycle conventional (2010/30/EC): 0.98 kWh/cycle
 Energy consumption per cycle forced air convection (2010/30/EC): 83 kWh/cycle
 Energy efficiency index (2010/30/EC): 95.4 %
 Connection Rating: 2800 W
 Fuse protection: 13 A
 Voltage: 220-240 V
 Frequency: 50; 60 Hz
 Plug type: no plug
 Energy input: Electric
 Required cutout/niche size for installation (in): X
 Dimensions of the packed product: 25.98 x 25.59 x 26.37
 Net weight: 76.000 lbs
 Gross weight: 82.000 lbs



Series 4, Built-in oven with added steam function, 60 x 60 cm, Black HUA736EA0K

The built-in oven with added steam: achieve delicious baking results thanks to hotair steam heating mode.

Dimensions:

- Appliance dimension (hxwxd): 595 mm x 594 mm x 548 mm
- Required niche size for installation (HxWxD mm): 585 mm - 595 mm x 560 mm - 568 mm x 550 mm
- "Please reference the built-in dimensions provided in the installation drawing"

Heating Functions

- Oven with 8 heating methods: Hot air, Top/bottom heat, Hot air grilling, Full width grill, Bottom heat, Hotair gentle, hot air + steam
- Temperature range 50 °C - 275 °C
- Cavity volume: 76 l

Hook-in racks / rails

- Number of shelf levels: 5 PC
- 1 level telescopic shelf

Design

- Rotary Control
- Cavity inner surface: enamel anthracite
- Extra large capacity oven

Cleaning:

- Ecolyse features: back panel
- Cleaning aid

Comfort

- Electronic clock with start / stop function
- automatic start
- Optical temperature control
- automatic programs, 10
- Bar handle
- Supporting systems: Programs
- Halogen interior lighting
- Water bowl with a volume of 250 ml
- Integral cooling fan

Accessory:

- 1 x air fry & grill tray, 1 x combination grid, 1 x deep tray, 1 x universal pan

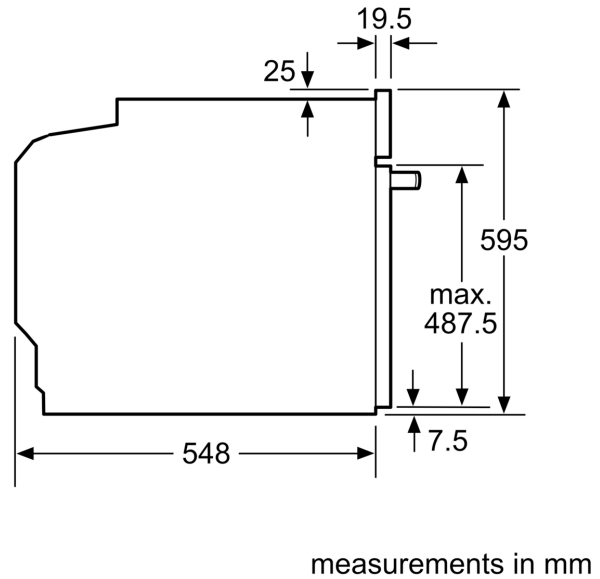
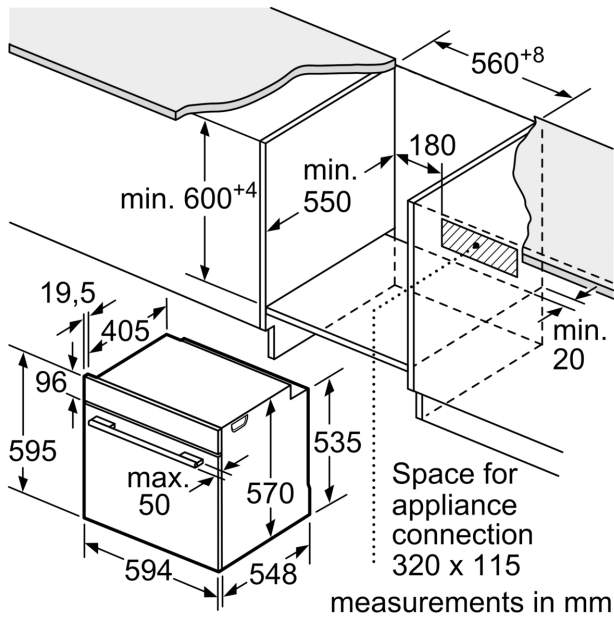
Environment and Safety:

- Triple glass door panel glazed CoolTouch door
- Safety functions: Child lock
- Residual heat indicator

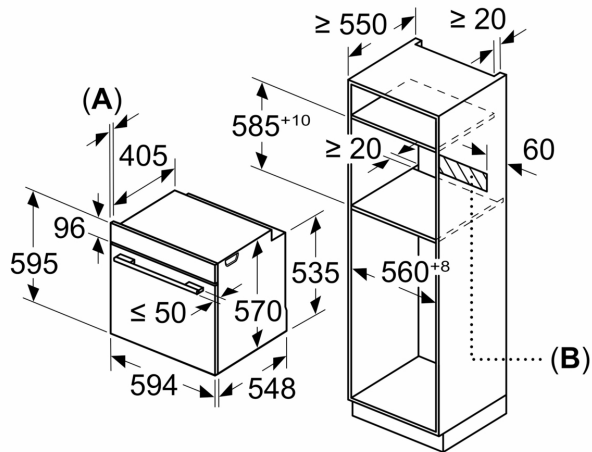
Technical information

- Length of mains cable: 120 cm
- Nominal voltage: 220 - 240 V
- Connected load: 2800 W
- Energy efficiency rating (acc. EU Nr. 65/2014): A(at a range of energy efficiency classes from A+++ to D)
- Energy consumption per cycle in conventional mode: 0.98 kWh
- Energy consumption per cycle in fan-forced convection mode: 0.83 kWh
- Number of cavities: 1
- Heat source: electrical
- Cavity volume: 76 l

Series 4, Built-in oven with added steam function, 60 x 60 cm, Black HUA736EA0K



Measurements in mm



- A:** 19.5 mm
- B:** Space for appliance connection 320 x 115 mm

Installation with a hob.

