

**Series 8, built-in oven, 60 x 60 cm,  
Stainless steel  
HBG672BS1A**



1 x grill tray, suit. pyrol. clean., 2 x combination grid, 1 x universal pan

HEZ327000 Pizza stone, HEZ530000 Half tray, HEZ531010 Baking tray, non-stick ceramic coated, HEZ532010 Universal pan, non-stick ceramic coated, HEZ617000 Pizza pan, enamelled, HEZ625071 Grill tray, anthracite, HEZ631070 Baking tray, enamelled, HEZ632070 Multipurpose pan, enamelled, HEZ633001 Lid for professional pan, enamelled, HEZ633070 Professional pan, enamelled, HEZ634000 Baking and roasting grid (standard), HEZ635000 Barbecue-Set, HEZ636000 Glass pan, HEZ638170 1 level telescopic rail, full ext, pyro, HEZ638270 2 level telescopic rails, full ext,pyro, HEZ638370 3 level telescopic rails, full ext,pyro, HEZ660050 Cover Strip, HEZ664000 Baking and roasting grid (steam), HEZ915003 Glass roasting dish, 5,4 L

**The built-in oven: you get perfect baking and roasting results.**

- **4D Hot Air:** even heat distribution for perfect results – on any level.
- **AutoPilot 10:** every dish is a perfect success thanks to 10 pre-set automatic programmes.
- **TFT Touch Display:** easy-to-use thanks to the Control Ring with clear text and symbols.

---

Gross weight: .....	40.0 kg
Built-in / Free-standing: .....	Built-in
Integrated Cleaning system: .....	Pyrolytic
Min. required niche size for installation (HxWxD): 585-595 x 560-568 x 550 mm	
Dimensions: .....	595 x 594 x 548 mm
Dimensions of the packed product (HxWxD): .....	670 x 670 x 680 mm
Control Panel Material: .....	Stainless steel
Door Material: .....	Glass
Net weight: .....	37.6 kg
Usable volume of cavity: .....	71 l
Cooking method: .....	4D hot air, Defrost, Full width grill, Hot Air-Eco, Conventional heat, Conventional heat ECO, Pizza setting, Hot air grilling
Number of interior lights: .....	1
Length electrical supply cord: .....	120.0 cm
Interior Lights - cavity 1: .....	1
Pull-out system: .....	Accessory
Included accessories: .....	1 x grill tray, suit. pyrol. clean., 2 x combination grid, 1 x universal pan
Broil Element Wattages cavity 1: .....	2800 W
Convection Element Wattages cavity 1: .....	2200 W
Energy efficiency rating: .....	A+
Energy consumption per cycle conventional (2010/30/EC): .....	0.87 kWh/cycle
Energy consumption per cycle forced air convection (2010/30/EC): .....	0.69 kWh/cycle
Energy efficiency index (2010/30/EC): .....	81.2 %
Connection Rating: .....	3600 W
Fuse protection: .....	16 A
Voltage: .....	220-240 V
Frequency: .....	60; 50 Hz
Plug type: .....	no plug
Energy input: .....	Electric
Required cutout/niche size for installation (in): .....	x
Dimensions of the packed product: .....	26.37 x 26.37 x 26.77
Net weight: .....	83.000 lbs
Gross weight: .....	88.000 lbs
Length electrical supply cord: .....	120.0 cm
Net weight: .....	37.6 kg

---



## **Series 8, built-in oven, 60 x 60 cm, Stainless steel HBG672BS1A**

### **The built-in oven: you get perfect baking and roasting results.**

---

#### **Heating Functions**

- Oven with 8 heating methods:
- 4D hot air
- Hot Air-Eco Top/bottom heat Conventional heat ECO Hot air grilling Full width grill Pizza setting Defrost setting

#### **Design**

- Rotary swivel
- TFT full color display
- Quadruple glass door panel
- Cavity inner surface: enamel anthracite
- Halogen interior lighting, Switch for oven illumination

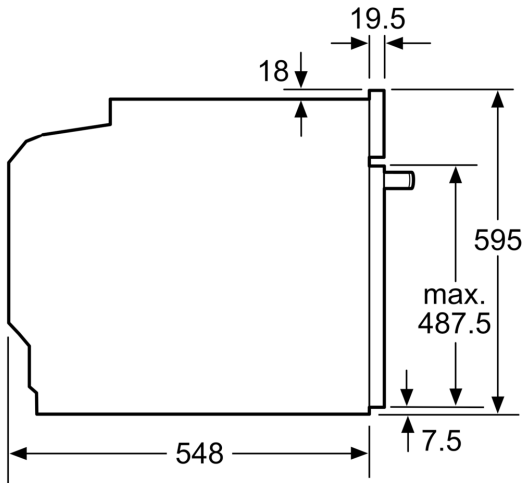
#### **Comfort**

- Cavity volume: 71 l
- Maximum window temperature 30° C
- Integral cooling fan
- Pyrolytic self-cleaning function
- Temperature proposal
- Actual temperature display Optical temperature control automatic programs Sabbath setting
- Safety functions: Automatic door lock during pyrolysis
- Child lock Automatic switch off Residual heat indicator start button door contact switch
- Electronic clock with start / stop function
- 10 automatic programs
- Temperature range 30 °C - 300 °C

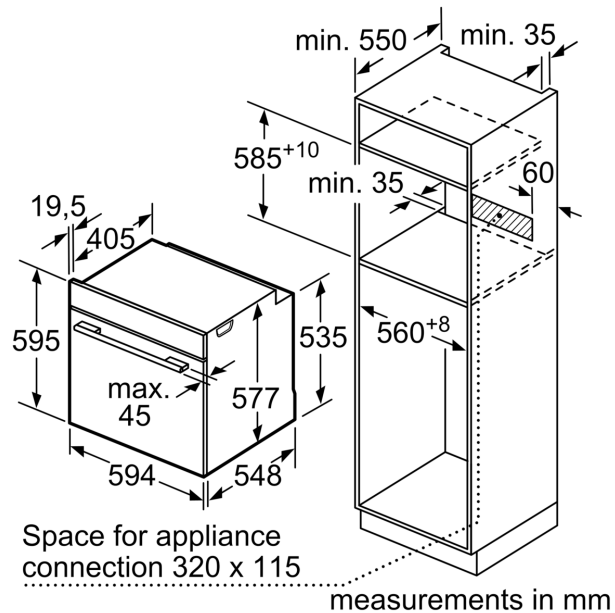
#### **Technical information**

- Appliance dimension (hxwxd): 595 mm x 594 mm x 548 mm
- Required niche size for installation (HxWxD mm): 585 mm - 595 mm x 560 mm - 568 mm x 550 mm
- Connected load: 3600 W
- Plug type: no plug
- Length of mains cable: 120 cm

**Series 8, built-in oven, 60 x 60 cm,  
Stainless steel  
HBG672BS1A**



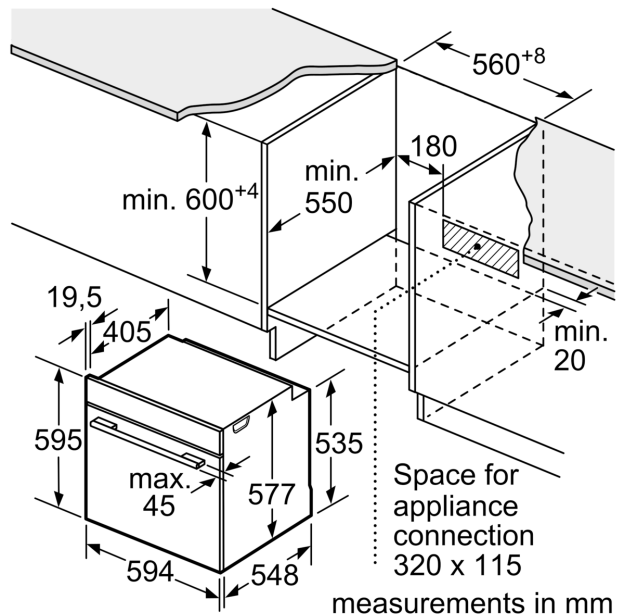
measurements in mm



measurements in mm

If the appliance will be installed underneath a hob, the following worktop thicknesses (including substructure if necessary) must be taken into account.

Hob type	min. worktop thickness	
	fitted	flush
Induction hob	37 mm	38 mm
Full surface Induction hob	47 mm	48 mm
Gas hob	30 mm	38 mm
Electric hob	27 mm	30 mm



measurements in mm