

**Series 6, built-in oven, 60 x 60 cm,
Stainless steel
HBA5570S0B**



2 x combination grid, 1 x universal pan

HEZ634000 Baking and roasting grid (standard), HEZ638000 Full ext rails, level independent, HEZ660050 Cover Strip, HEZ664000 Baking and roasting grid (steam), HEZ915003 Glass roasting dish, 5,4 L, HEZ327000 Pizza stone, HEZ32WA00 Wireless food thermometer, HEZ531010 Baking tray, non-stick ceramic coated, HEZ532010 Universal pan, non-stick ceramic coated, HEZ538000 1fold telescopic rail, level independent, HEZ617000 Pizza pan, enamelled, HEZ629070 Air Fry & Grill tray, HEZ631070 Baking tray, enamelled, HEZ632070 Multipurpose pan, enamelled

- **AutoPilot 10:** every dish is a perfect success thanks to 10 pre-set automatic programmes.
- **LCD display control, white:** easy-to-use thanks to direct access to additional functions.
- **pop-out controls:** for an easy to clean front.
- **EcoClean Direct:** almost no cleaning is necessary thanks to a special coating of the rear- and side wall and the roof that automatically absorbs grime and regeneration programm.
- **1-fold telescopic rail, level independent:** can be placed in any baking level.

Gross weight: 36.3 kg
 Built-in / Free-standing: Built-in
 Integrated Cleaning system: EcoClean Direct program, Hydrolytic
 Min. required niche size for installation (HxWxD): 585-595 x 560-568 x 550 mm
 Dimensions: 595 x 594 x 548 mm
 Dimensions of the packed product (HxWxD): 675 x 660 x 690 mm
 Control Panel Material: Stainless steel
 Door Material: Glass
 Net weight: 34.2 kg
 Usable volume of cavity: 71 l
 Cooking method: Full width grill, Hotair gentle, Hot Air, Conventional heat, Pizza setting, Bottom heat, Hot air grilling
 Number of interior lights: 1
 Length electrical supply cord: 120.0 cm
 Interior Lights - cavity 1: 1
 Pull-out system: Pull Out
 Included accessories: 2 x combination grid, 1 x universal pan
 Broil Element Wattages cavity 1: 2700 W
 Convection Element Wattages cavity 1: 1600 W
 Energy efficiency rating: A
 Energy consumption per cycle conventional (2010/30/EC): 0.97 kWh/cycle
 Energy consumption per cycle forced air convection (2010/30/EQ): 81 kWh/cycle
 Energy efficiency index (2010/30/EC): 95.3 %
 Connection Rating: 2990 W
 Fuse protection: 13 A
 Voltage: 220-240 V
 Frequency: 60; 50 Hz
 Plug type: no plug
 Energy input: Electric
 Required cutout/niche size for installation (in): x
 Dimensions of the packed product: 26.57 x 25.98 x 27.16
 Net weight: 75.000 lbs
 Gross weight: 80.000 lbs
 Length electrical supply cord: 120.0 cm
 Net weight: 34.2 kg



**Series 6, built-in oven, 60 x 60 cm,
Stainless steel
HBA5570S0B**

Heating Functions

- Cavity volume: 71 l

Hook-in racks / rails

Design

Cleaning:

- ecolyse program

Comfort

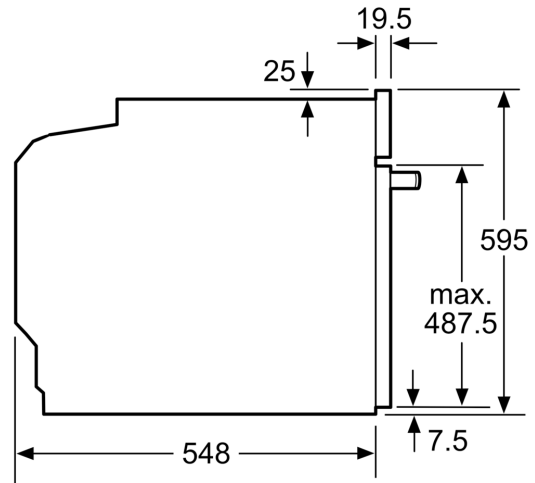
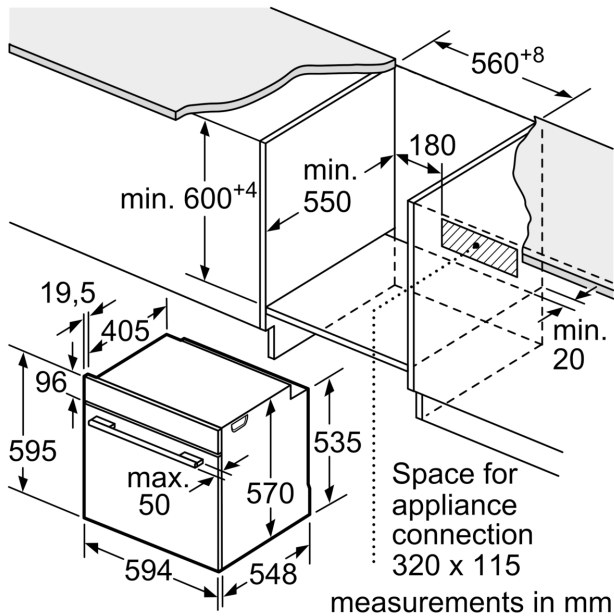
- Electronic clock with start / stop function
- Supporting systems: Programs
- Rapid heating-up
- Integral cooling fan

Accessory:

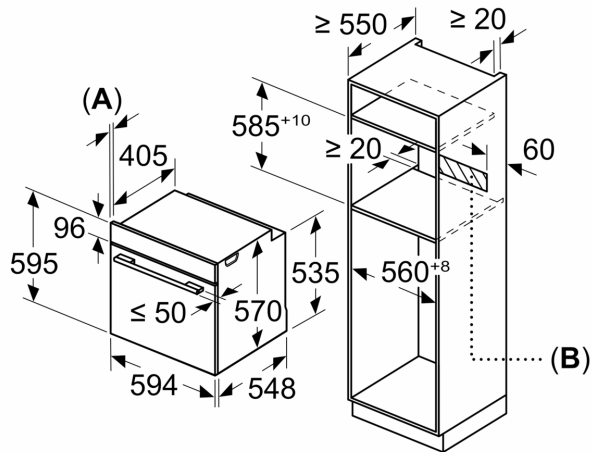
Technical information

- Length of mains cable: 120 cm
- Nominal voltage: 220 - 240 V
- "Please reference the built-in dimensions provided in the installation drawing"

**Series 6, built-in oven, 60 x 60 cm,
Stainless steel
HBA5570S0B**

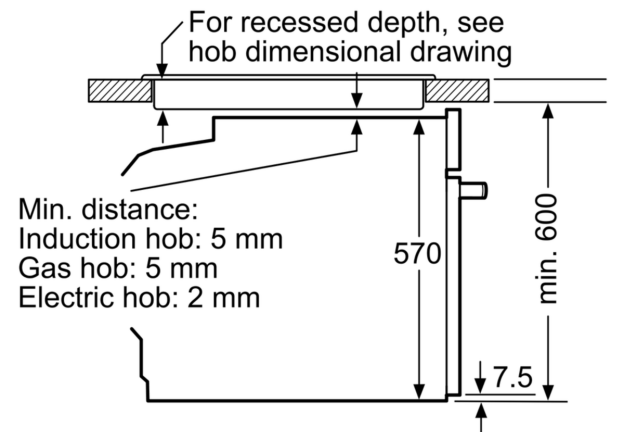


Measurements in mm



A: 19.5 mm
B: Space for appliance connection 320 x 115 mm

Installation with a hob.



measurements in mm