

**Series 6, built-in oven, 60 x 60 cm,  
Black  
HBA5360B0K**



- **AutoPilot 10:** every dish is a perfect success thanks to 10 pre-set automatic programmes.
- **pop-out controls:** for an easy to clean front.

1 x combination grid, 1 x universal pan

HEZ327000 Pizza stone, HEZ32WA00 Wireless food thermometer, HEZ531010 Baking tray, non-stick ceramic coated, HEZ532010 Universal pan, non-stick ceramic coated, HEZ538000 1fold telescopic rail, level independent, HEZ617000 Pizza pan, enamelled, HEZ629070 Air Fry & Grill tray, HEZ631070 Baking tray, enamelled, HEZ632070 Multipurpose pan, enamelled, HEZ634000 Baking and roasting grid (standard), HEZ638000 Full ext rails, level independent, HEZ660050 Cover Strip, HEZ664000 Baking and roasting grid (steam), HEZ915003 Glass roasting dish, 5,4 L

Gross weight:	36.4 kg
Built-in / Free-standing:	Built-in
Integrated Cleaning system:	EcoClean Direct program, Hydrolytic
Min. required niche size for installation (HxWxD):	585-595 x 560-568 x 550 mm
Dimensions:	595 x 594 x 548 mm
Dimensions of the packed product (HxWxD):	675 x 660 x 690 mm
Control Panel Material:	Glass
Door Material:	Glass
Net weight:	34.4 kg
Usable volume of cavity:	71 l
Cooking method:	Full width grill, Hotair gentle, Hot Air, Conventional heat, Pizza setting, Bottom heat, Hot air grilling
Number of interior lights:	1
Length electrical supply cord:	120.0 cm
Interior Lights - cavity 1:	1
Pull-out system:	Pull Out
Included accessories:	1 x combination grid, 1 x universal pan
Broil Element Wattages cavity 1:	2700 W
Convection Element Wattages cavity 1:	2200 W
Energy efficiency rating:	A
Energy consumption per cycle conventional (2010/30/EC):	0.97 kWh/cycle
Energy consumption per cycle forced air convection (2010/30/EC):	0.81 kWh/cycle
Energy efficiency index (2010/30/EC):	95.3 %
Connection Rating:	3400 W
Fuse protection:	16 A
Voltage:	220-240 V
Frequency:	60; 50 Hz
Plug type:	no plug
Energy input:	Electric
Required cutout/niche size for installation (in):	x
Dimensions of the packed product:	26.57 x 25.98 x 27.16
Net weight:	76.000 lbs
Gross weight:	80.000 lbs
Length electrical supply cord:	120.0 cm
Net weight:	34.4 kg



## Series 6, built-in oven, 60 x 60 cm, Black HBA5360B0K

---

### Heating Functions

- Oven with 7 heating methods:
- Hot air
- Top/bottom heat Hot air grilling Full width grill Pizza setting Bottom heat
- Temperature range 50 °C - 275 °C
- Cavity volume: 71 l

### Hook-in racks / rails

#### Design

- Rotary Control, Pop-out controls
- Electronic clock with start / stop function
- Bar handle

#### Comfort

- EcoLyse features: back panel
- automatic start
- Optical temperature control
- Supporting systems: Programs
- Rapid heating-up
- Halogen interior lighting
- Integral cooling fan
- Maximum window temperature 50° C
- Safety functions: Child lock
- Residual heat indicator
- Energy efficiency rating (acc. EU Nr. 65/2014): A (at a range of energy efficiency classes from A+++ to D)
- Energy consumption per cycle in conventional mode: 0.97 kWh
- Energy consumption per cycle in fan-forced convection mode: 0.81 kWh
- Number of cavities: 1 Heat source: electrical Cavity volume: 71 l

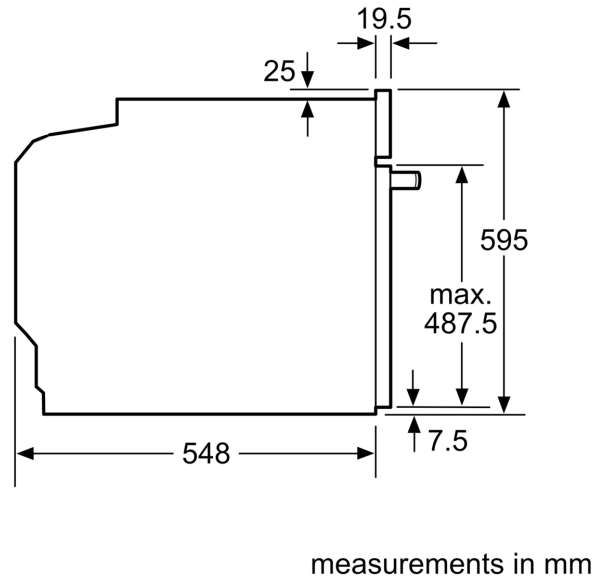
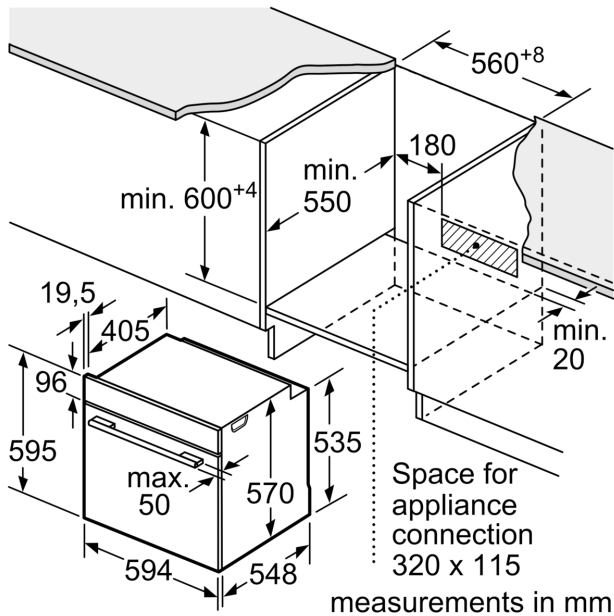
#### Accessory:

- 1 x combination grid, 1 x universal pan

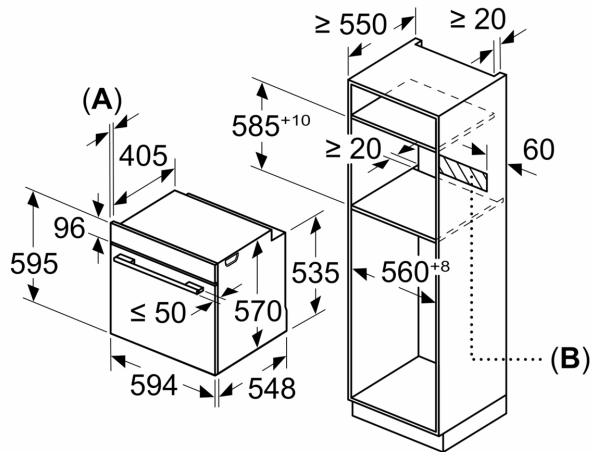
#### Technical information

- Length of mains cable: 120 cm
- Nominal voltage: 220 - 240 V
- Connected load: 3400 W
- Appliance dimension (hxwxd): 595 mm x 594 mm x 548 mm
- Required niche size for installation (HxWxD mm): 585 mm - 595 mm x 560 mm - 568 mm x 550 mm
- "Please reference the built-in dimensions provided in the installation drawing"

**Series 6, built-in oven, 60 x 60 cm,  
Black  
HBA5360B0K**



Measurements in mm



**A:** 19.5 mm  
**B:** Space for appliance connection 320 x 115 mm

Installation with a hob.

