

Series 8, wall-mounted cooker hood, 90 cm, clear glass black printed DWK91LT60



DWZ0BX6K1	Chimney extension 1000 mm
DWZ0BX6L1	Chimney extension 1500 mm
DWZ1BK1B6	Clean Air Plus odor filter (replacement)
DWZ1BK1I6	Clean Air Plus recirculation kit
DWZ1BK1P1	Long Life odor filter (replacement)
DWZ1BK1R1	Long Life recirculation kit (chimless)
DWZ1BK1S1	Long Life recirculation kit
DWZ1BK1V6	Clean Air Plus recirc. kit (chimless)
HEZG9AS00S	Adapter

- **EcoSilence Drive:** our highly efficient motor saves on energy, not on performance.

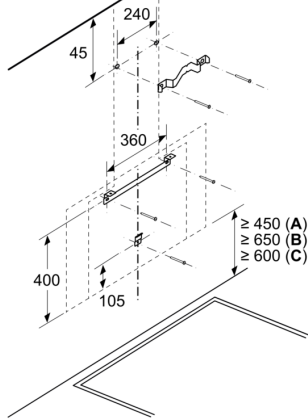
Typology:Wall-mounted
 Length electrical supply cord: 130.0 cm
 Height of the chimney: 420-663/457-750 mm
 Height of product, without chimney: 450 mm
 Net weight: 25.7 kg
 Type of control:Electronic
 Number of speed settings:3-stage + 2 intensive
 Maximum output air extraction: 441 m³/h
 Boost position output recirculating: 944 m³/h
 Maximum output recirculating air:437 m³/h
 Boost position air extraction: 1007 m³/h
 Number of lights: 2
 Noise level:51 dB(A) re 1 pW
 Diameter of air outlet: 150 mm
 Grease filter material: Washable stainless steel
 Odour filter: No
 Operating Mode:Convertible
 Optional accessories:DWZ0BX6K1, DWZ0BX6L1, DWZ1BK1B6,
 DWZ1BK1I6, DWZ1BK1P1, DWZ1BK1R1, DWZ1BK1S1, DWZ1BK1V6,
 HEZG9AS00S
 Grease filter type:Kassette
 Connection Rating: 250 W
 Fuse protection:10 A
 Voltage: 220-240 V
 Frequency: 50; 60 Hz
 Plug type: Gardy plug w/ earthing
 Installation typology:Wall-mounted
 Material body:Glass, Lacquered
 Plug type: Gardy plug w/ earthing
 Dimensions of the product, with chimney (if exists) (in):x x
 Dimensions of the packed product: 30.31 x 28.74 x 48.42
 Net weight:57.000 lbs
 Gross weight: 82.000 lbs
 Motor location: Integrated motor in hood body
 No-return airflow flap: Yes
 Length electrical supply cord: 130.0 cm
 Dimensions of the product, with chimney (if exists): 892-1185 x
 890.0 x 447.0 mm
 Dimensions of the packed product (HxWxD): ... 770 x 730 x 1230 mm
 Net weight: 25.7 kg
 Gross weight: 37.0 kg
 Delay Shut off modes: 10 min



Series 8, wall-mounted cooker hood, 90 cm, clear glass black printed DWK91LT60

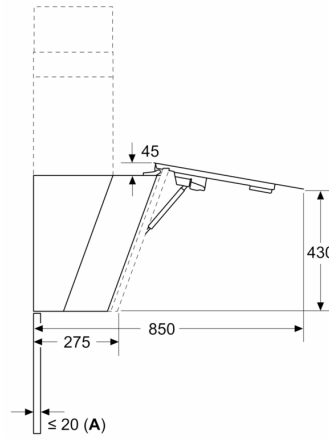
- Inclined glass brand design
- clear glass black printed
- Suitable for ducted or re-circulated extraction
- In recirculation operation chimless use possible
- BLDC for Ventilation
- Colour Temperature: 3500 K
- Light Intensity: 422 lux
- 3 fan speeds setting plus 2 intensive
- grease- and charcoal filter
- The Home Connect functionality can be extended by integrating numerous applications from external cooperation partners (partnerships)
- easy to clean yes
- Energy Efficiency Class: A+*
- Average Energy Consumption: 39.1 kWh/year*
- Blower Efficiency Class: A*
- Lighting Efficiency Class: A*
- Grease Filtering Efficiency Class: C*
- Power rating: 250 W
- Voltage: 220 - 240 V
- Dimensions exhaust air (HxWxD): 855-1098 x 890 x 447 mm
- Dimensions recirculating (HxWxD): 892-1185 x 890 x 447 mm
- Diameter pipe Ø 150 mm (Ø 150 mm enclosed)
- Electrical cable length 1.3 m
- with one-way flap

Measurements in mm
Wall installation with chimney



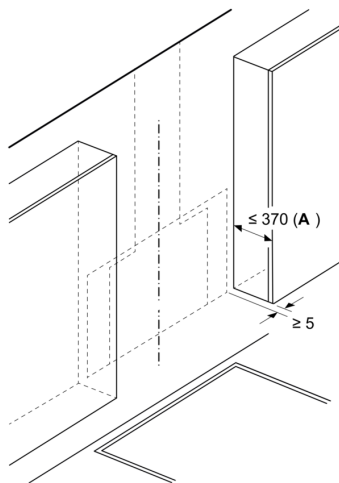
- A: Electric
- B: Gas - from upper edge of pan support
- C: Electric - for Australia and New Zealand

Measurements in mm



- A: Max. back wall thickness

Measurements in mm



- A: Max. depth of side upper cabinets (incl. door) due to installation of glass plate

Appliance must be installed before upper cabinets, if these are deeper than 370 mm