

**Series 8, wall-mounted cooker hood,
90 cm, Stainless steel
DWB98PR50**



DHZ1223	Chimney extension 1000 mm
DHZ1233	Chimney extension 1500 mm
DHZ5345	Standard recirculation kit
DHZ5346	Standard odor filter (replacement)
DWZ0XX0J5	Long Life recirculation kit
DWZ1CX1I6	Clean Air Plus recirculation kit
DWZ2CB1I4	Clean Air Standard recirculation kit
DWZ2CX5C6	Clean Air Plus recirc. kit external
DWZ2FX5D1	Long Life recirculation kit external
DZZ0XX0P0	Long Life odor filter (replacement)
DZZ1XX1B6	Clean Air Plus odor filter (replacement)
DZZ2CB1B4	Clean Air Standard odor filter (repl.)

**The wall-mounted chimney hood: mount it
on the wall, giving you complete freedom
in your kitchen planning.**

- **For fast and effective extraction, the intensive speed setting removes strong kitchen odours quickly and effectively.**
- **Extra quiet: maximum extractor performance with minimal noise.**

Typology:Wall-mounted
 Length electrical supply cord: 130.0 cm
 Height of the chimney: 582-908/568-1018 mm
 Height of product, without chimney:46 mm
 Net weight: 19.2 kg
 Type of control:Electronic
 Number of speed settings:3-stage + 2 intensive
 Maximum output air extraction: 430 m³/h
 Boost position output recirculating:457 m³/h
 Maximum output recirculating air:353 m³/h
 Boost position air extraction: 844 m³/h
 Number of lights: 3
 Noise level:55 dB(A) re 1 pW
 Diameter of air outlet: 150 / 120 mm
 Grease filter material: Washable stainless steel
 Odour filter: No
 Operating Mode: Convertible
 Optional accessories: DHZ1223, DHZ1233, DHZ5345, DHZ5346, DWZ0XX0J5, DWZ1CX1I6, DWZ2CB1I4, DWZ2CX5C6, DWZ2FX5D1, DZZ0XX0P0, DZZ1XX1B6, DZZ2CB1B4
 Type of lamps used: LED
 Grease filter type:Kassette
 Connection Rating: 165 W
 Fuse protection:10 A
 Voltage: 220-240 V
 Frequency: 60; 50 Hz
 Plug type: Gardy plug w/ earthing
 Installation typology:Wall-mounted
 Material body: Stainless steel
 Plug type: Gardy plug w/ earthing
 Dimensions of the product, with chimney (if exists) (in):x x
 Dimensions of the packed product: 23.03 x 25.59 x 38.18
 Net weight:42.000 lbs
 Gross weight: 56.000 lbs
 Motor location: Integrated motor in hood chimney
 No-return airflow flap: Yes
 Length electrical supply cord: 130.0 cm
 Dimensions of the product, with chimney (if exists): 614-1064 x 898.0 x 500.0 mm
 Dimensions of the packed product (HxWxD): 585 x 650 x 970 mm
 Net weight: 19.2 kg
 Gross weight: 25.4 kg
 Delay Shut off modes: 10 min



Series 8, wall-mounted cooker hood, 90 cm, Stainless steel DWB98PR50

The wall-mounted chimney hood: mount it on the wall, giving you complete freedom in your kitchen planning.

- Energy Efficiency Class: A+*
- Average Energy Consumption: 30.1 kWh/year*
- Blower Efficiency Class: A*
- Lighting Efficiency Class: A*
- Grease Filtering Efficiency Class: B*
- Noise min./max. Normal Level: 46/55 dB*

Model:

Design

Technical Information

Performance

Power

Environment and safety:

Comfort:

Measures:

Technical Information

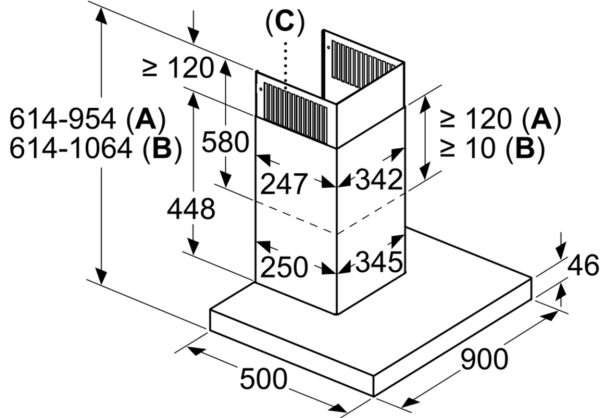
- 90 cm Wall hood, Stainless Steel
- 90 cm Chimney hood
- Appliance colour: brushed steel
- Suitable for ducted or re-circulated extraction
- Recirc. kit or clean air kit
- Wall mounted hood
- Remote Monitoring and Control for connected home appliances and operation via smartphone or tablet (only in countries where Home Connect service is available)
- The Home Connect functionality can be extended by integrating numerous applications from external cooperation partners (partnerships)
- Wall fixing system
- TouchControl for extractor speeds and light
- Electronic controls
- TouchControl with lightline
- Electronic controls via TouchControl with lightline
- TouchControl
- 3 fan speeds setting plus 2 intensive
- Automatic intensive revert after 6 min.
- Automatic run on for 10 min.
- easy to clean yes
- air quality sensor 1.1
- Light dimmer function
- SoftLight
- BLDC for Ventilation
- 3 x 1.5W LED
- Light Intensity: 389 lux
- Colour Temperature: 3500 K

- grease- and charcoal filter
- Cass.w.stainl. st. perf. plate
- Metal grease filter, dishwasher safe
- Max extraction rate: Normal 430 m³/h Intensive 844 m³/h
- Extraction rate exhaust air according to EN 61591 max. 844 m³/h
- Extraction rate according to EN 61591 ø 15 cm:
 - max. Normal use 430m³/h
 - Intensive 844 m³/h
- Extraction rate exhaust air according to EN 61591: max. normal use 430m³/h, Intensive 844m³/h
- Dimensions recirculating with CleanAir module (HxWxD):
 - 689 x 898 x 500mm - mounting with outer chimney
- Additional noise insulation
- Noise level according to EN 60704-3 und EN 60704-2-13 at max. normal use exhaust air: 55 dB(A) re 1 pW (42 dB(A) re 20 µPa sound pressure)
- Noise level according to EN 60704-3 und EN 60704-2-13 exhaust air:
 - Max. normal use: 55 dB(A) re 1 pW (42 dB(A) re 20 µPa sound pressure)
 - Intensive: 69 dB(A) re 1 pW (56 dB(A) re 20 µPa sound pressure)
- Diameter pipe ø 150 mm (ø 120 mm enclosed)
- with one-way flap
- Max. extraction rate: 844 m³/h
- Dimensions exhaust air (HxWxD): 614-954 x 898 x 500 mm
- Dimensions recirculating (HxWxD): 614-1064 x 898 x 500 mm
- Power rating: 165 W
- Electrical cable length 1.3 m
- Voltage: 220 - 240 V

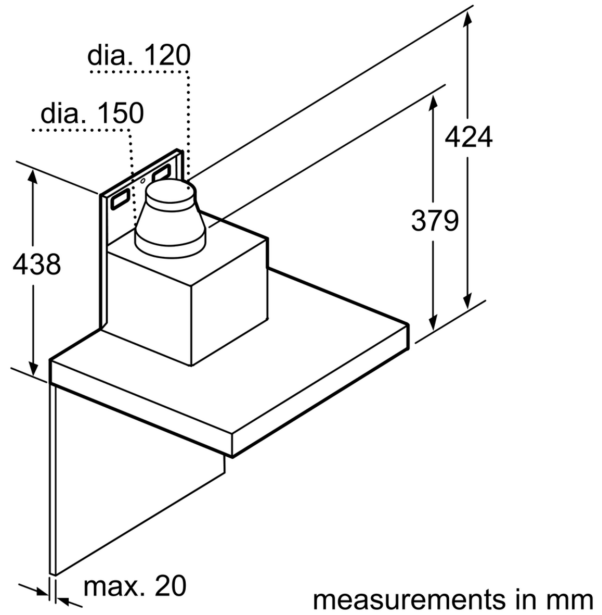
* In accordance with the EU-Regulation No 65/2014

**Series 8, wall-mounted cooker hood,
90 cm, Stainless steel
DWB98PR50**

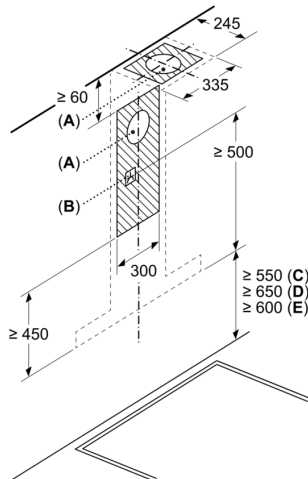
measurements in mm



- A:** Air extraction
- B:** Air recirculation
- C:** Air outlet – slots for exhaust air to be mounted facing down

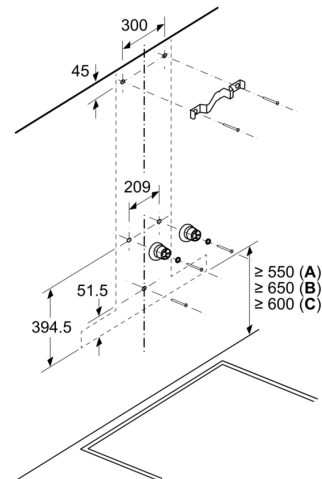


Measurements in mm



- A:** Exhaust air outlet
- B:** Socket
- C:** Electric
- D:** Gas - from upper edge of pan support
- E:** Electric - for Australia and New Zealand

Measurements in mm



- A:** Electric
- B:** Gas - from upper edge of pan support
- C:** Electric - for Australia and New Zealand