

**Series 4, wall-mounted cooker hood,
90 cm, Stainless steel
DWB97FM50**



DHZ1225 Chimney extension 1000 mm, DHZ1235 Chimney extension 1500 mm, DHZ9550 Brushed steel back panel, DHZ9551 Brushed steel back panel, DWZ0DX0A0 Standard odor filter (replacement), DWZ0DX0U0 Standard recirculation kit, DWZ0XX0J0 Long Life recirculation kit, DWZ1DX1B4 Clean Air Standard odor filter (repl.), DWZ1DX1I4 Clean Air Standard recirculation kit, DWZ1DX1I6 Clean Air Plus recirculation kit, DWZ1FX5C6 Clean Air Plus recirc. kit external, DWZ1FX5D1 Long Life recirculation kit external, DZZ0XX0P0 Long Life odor filter (replacement), DZZ1XX1B6 Clean Air Plus odor filter (replacement)

Box-design hood: performance and matching kitchen design bundled in one hood.

- **For fast and effective extraction, the intensive speed setting removes strong kitchen odours quickly and effectively.**
- **TouchSelect control: quick touch-control selection of desired settings and light.**

Typology:Wall-mounted
 Length electrical supply cord: 130.0 cm
 Height of the chimney: 583-912/583-1022 mm
 Height of product, without chimney: 53 mm
 Net weight: 13.7 kg
 Type of control:Electronic
 Number of speed settings:
 Maximum output air extraction: 454 m³/h
 Boost position output recirculating:499 m³/h
 Maximum output recirculating air:404 m³/h
 Boost position air extraction: 739 m³/h
 Number of lights:2
 Noise level:65 dB(A) re 1 pW
 Diameter of air outlet: 120 / 150 mm
 Grease filter material: Washable stainless steel
 Odour filter: No
 Operating Mode:Convertible
 Optional accessories: DHZ1225, DHZ1235, DHZ9550, DHZ9551, DWZ0DX0A0, DWZ0DX0U0, DWZ0XX0J0, DWZ1DX1B4, DWZ1DX1I4, DWZ1DX1I6, DWZ1FX5C6, DWZ1FX5D1, DZZ0XX0P0, DZZ1XX1B6
 Type of lamps used: LED
 Grease filter type:Kassette
 Connection Rating: 255 W
 Fuse protection:10 A
 Voltage: 220-240 V
 Frequency: 50; 60 Hz
 Plug type: Gardy plug w/ earthing
 Installation typology:Wall-mounted
 Material body: Stainless steel
 Plug type: Gardy plug w/ earthing
 Dimensions of the product, with chimney (if exists) (in):x x
 Dimensions of the packed product: 19.29 x 25.59 x 40.55
 Net weight:30.000 lbs
 Gross weight: 42.000 lbs
 Motor location:Integrated motor in hood chimney
 No-return airflow flap: Yes
 Length electrical supply cord: 130.0 cm
 Dimensions of the product, with chimney (if exists): .635-1075 MM x 900.0 x 500.0 mm
 Dimensions of the packed product (HxWxD): ... 490 x 650 x 1030 mm
 Net weight: 13.7 kg
 Gross weight: 19.1 kg



Series 4, wall-mounted cooker hood, 90 cm, Stainless steel DWB97FM50

Box-design hood: performance and matching kitchen design bundled in one hood.

Design

- Wall mounted hood
- 90 cm wall hood, Stainless Steel
- Appliance colour: brushed steel
- TouchControl for extractor speeds and light
- 3 speeds plus intensive setting

Performance

- Max extraction rate: Normal 453 m³/h Intensive 739 m³/h

Comfort:

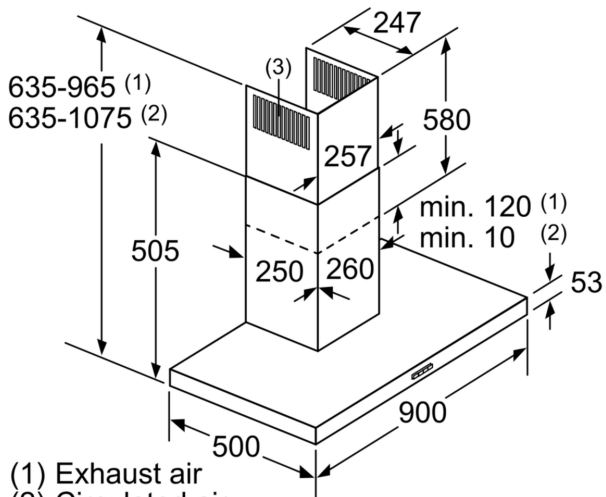
- Energy Efficiency Class: B*
- Average Energy Consumption: 62.5 kWh/year*
- Noise min./max. Normal Level: 52/65 dB*
- Metal grease filter, dishwasher safe

Technical Information

- Suitable for ducted or re-circulated extraction
- Recirc. kit or clean air kit
- Dimensions exhaust air (HxWxD): 635-965 x 900 x 500 mm
- Dimensions recirculating (HxWxD): 635-1075 x 900 x 500 mm
- Dimensions recirculating with CleanAir module (HxWxD):
 - 703 x 900 x 500mm - mounting with outer chimney
- Dimensions recirculating with cleanAir module (HxWxD):
 - 703 x 900 x 500mm - mounting with outer chimney
 - 833-1163 x 900 x 500 mm - mounting with telescopic chimney
- Power rating: 255 W
- Electrical cable length 1.3 m

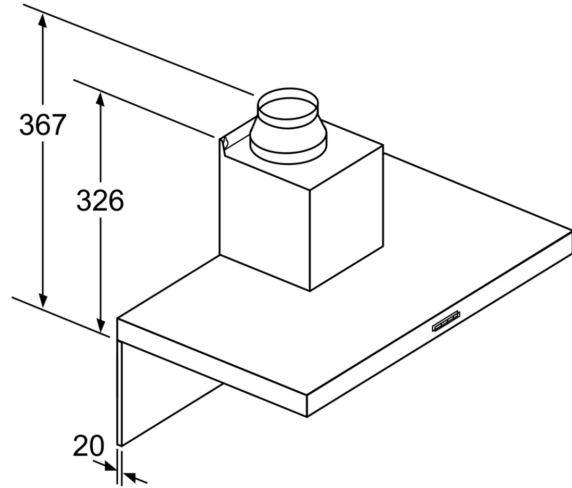
* In accordance with the EU-Regulation No 65/2014

**Series 4, wall-mounted cooker hood,
90 cm, Stainless steel
DWB97FM50**



- (1) Exhaust air
- (2) Circulated air
- (3) Air outlet – slots for exhaust air to be mounted facing down

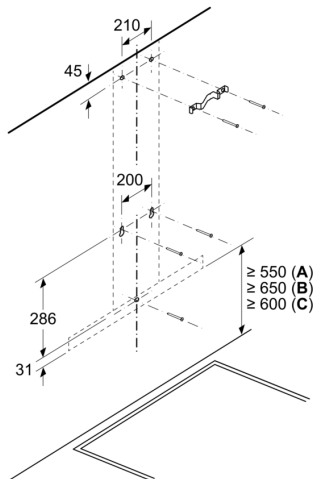
measurements in mm



If a back panel is used,
the design of the appliance
must be considered.

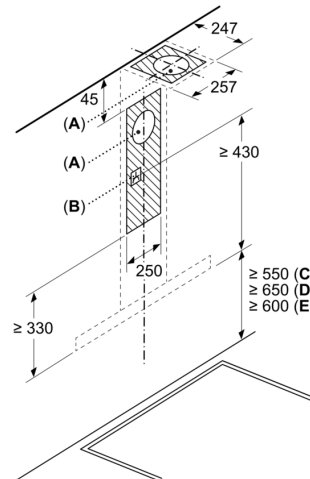
measurements in mm

Measurements in mm



- A: Electric
- B: Gas - from upper edge of pan support
- C: Electric - for Australia and New Zealand

Measurements in mm



- A: Exhaust air outlet
- B: Socket
- C: Electric
- D: Gas - from upper edge of pan support
- E: Electric - for Australia and New Zealand