

**Series 4, wall-mounted cooker hood,
60 cm, Black
DWB67BK60T**



DHZ5377 Active carbon filter

**The wall-mounted chimney hood: mount it
on the wall, giving you complete freedom
in your kitchen planning.**

- **Metal Grease Filter:** cleans the air, captures grease, easy monthly clean-up.
- **Absorbs odors with Charcoal Replacement Filters (Available for sale)**
- **Ducted or Non-ducted Options**

Typology:Wall-mounted
 Length electrical supply cord: 200.0 cm
 Height of the chimney: 550-725/550-830 mm
 Height of product, without chimney: 53 mm
 Net weight:9.2 kg
 Type of control:Electronic
 Number of speed settings:
 Maximum output air extraction: 582 m³/h
 Boost position output recirculating: 508.0 m³/h
 Maximum output recirculating air:480 m³/h
 Boost position air extraction: 779 m³/h
 Number of lights: 2
 Noise level:66 dB(A) re 1 pW
 Diameter of air outlet: 120 / 150 mm
 Grease filter material:Washable aluminium
 Odour filter: No
 Operating Mode:Convertible
 Optional accessories: DHZ5377
 Type of lamps used: LED
 Total power of the lamps: 6 W
 Grease filter type:Kassette
 Connection Rating: 281 W
 Voltage: 220-240 V
 Frequency: 50 Hz
 Plug type: Gardy plug w/ earthing
 Installation typology:Wall-mounted
 Material body: Stainless steel
 Plug type: Gardy plug w/ earthing
 Dimensions of the product, with chimney (if exists) (in):x x
 Dimensions of the packed product: 15.94 x 23.42 x 26.96
 Net weight:20.000 lbs
 Gross weight: 32.000 lbs
 Motor location: Integrated motor in hood chimney
 No-return airflow flap: Yes
 Length electrical supply cord: 200.0 cm
 Dimensions of the product, with chimney (if exists): 550-830 x 598.0
 x 500.0 mm
 Dimensions of the packed product (HxWxD): 405 x 595 x 685 mm
 Net weight:9.2 kg
 Gross weight: 14.5 kg



**Series 4, wall-mounted cooker hood,
60 cm, Black
DWB67BK60T**

**The wall-mounted chimney hood: mount it
on the wall, giving you complete freedom
in your kitchen planning.**

Model:

- DWB67BK60T
- Wall mounted hood
- Box common design

Design

- black with glass canopy
- TouchControl with Electronic display
- Metal grease filter, dishwasher safe

Technical Information

- 3 speeds plus intensive setting
- Extraction rate exhaust air according to EN 61591 max. 779 m³/h
- Suitable for ducted or re-circulated extraction
- Recirculating kit

Comfort:

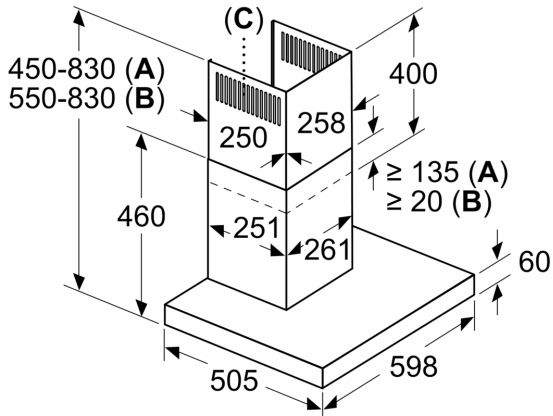
- Noise min./max. Normal Level: 43/66 dB*
- Light Intensity: 304 lux
- Colour Temperature: 3000 K

Measures:

- 60 cm Chimney hood
- Dimensions exhaust air (HxWxD): 450-830 x 598 x 500 mm
- Dimensions recirculating (HxWxD): 550-830 x 598 x 500 mm
- Diameter pipe Ø 150 mm (Ø 120 mm enclosed)

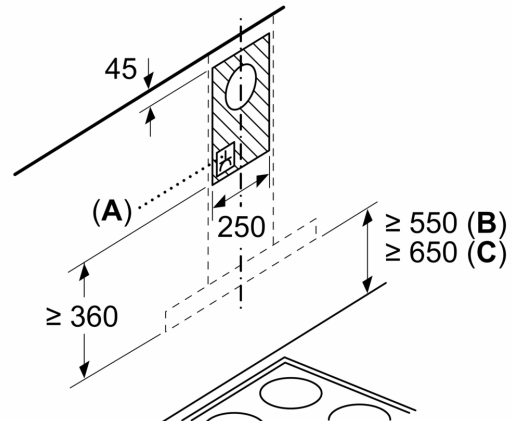
**Series 4, wall-mounted cooker hood,
60 cm, Black
DWB67BK60T**

Measurements in mm



- A:** Exhaust air
- B:** Circulated air
- C:** Air outlet – slots for exhaust air to be mounted facing down

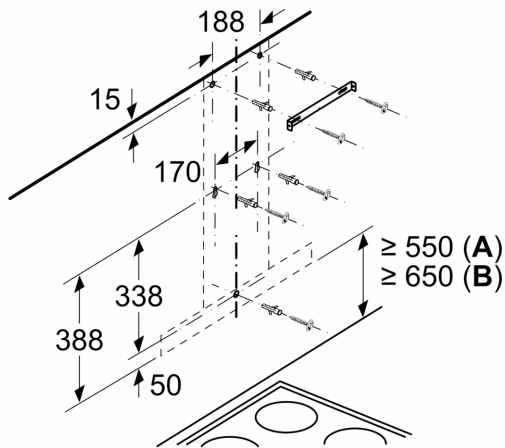
Measurements in mm



- A:** Socket
From upper edge of pan support

- B:** Electric
- C:** Gas

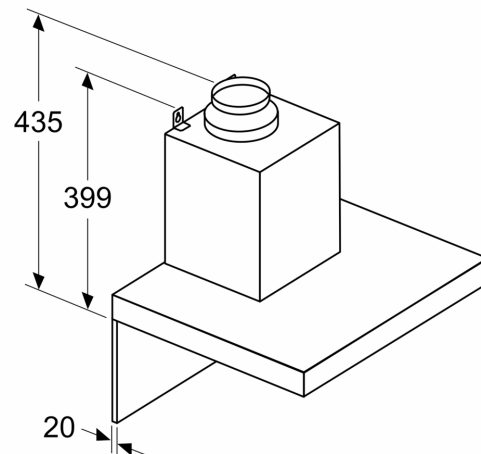
Measurements in mm



From upper edge of pan support

- A:** Electric
- B:** Gas

Measurements in mm



If a back panel is used, the design of the appliance must be considered