

**Series 2, built-under cooker hood, 60 cm, Stainless steel
DHU635HZA**



The built-under cooker hood: save space by mounting the hood beneath your upper cabinet or on the wall.

Typology:	Built-in/Built-under
Length electrical supply cord:	150.0 cm
Net weight:	5.9 kg
Type of control:	mechanical
Number of speed settings:	3
Maximum output air extraction:	330 m ³ /h
Maximum output recirculating air:	100 m ³ /h
Number of lights:	2
Noise level:	73 dB(A) re 1 pW
Diameter of air outlet:	100 mm
Grease filter material:	Washable aluminium
Odour filter:	Yes
Operating Mode:	Convertible
Total power of the lamps:	6 W
Grease filter type:	Kassette
Connection Rating:	166 W
Voltage:	220-240 V
Frequency:	50; 60 Hz
Plug type:	Gardy plug w/ earthing
Installation typology:	Built-under
Material body:	Stainless steel
Plug type:	Gardy plug w/ earthing
Dimensions of the product, with chimney (if exists) (in):	x x
Dimensions of the packed product:	21.45 x 6.88 x 25.19
Net weight:	13.000 lbs
Gross weight:	20.000 lbs
Motor location:	Integrated motor in hood body
No-return airflow flap:	Yes
Length electrical supply cord:	150.0 cm
Dimensions of the product, with chimney (if exists):	.x 600.0 x 510.0 mm
Dimensions of the packed product (HxWxD): 545 x 175 x 640 mm
Net weight:	5.9 kg
Gross weight:	8.9 kg



Series 2, built-under cooker hood, 60 cm, Stainless steel DHU635HZA

The built-under cooker hood: save space by mounting the hood beneath your upper cabinet or on the wall.

Design

- Built-under design
- Stainless steel
- Slide switch

Performance

- 3 fan speeds
- Extraction rate according to EN 61591: max. 330 m³/h
- Noise level according to EN 60704-3 and EN 60704-2-13 at maximum normal setting: extraction rate: 73 dB(A) re 1 pW (60 dB(A) re 20 µPa sound pressure)
- Extraction rate in recirculation mode:
 - Max. normal use: 100 m³/h
 - Noise level in recirculation mode:
 - Max. normal use: 78 dB(A) re 1 pW (65 dB(A) re 20 µPa sound pressure)

Comfort:

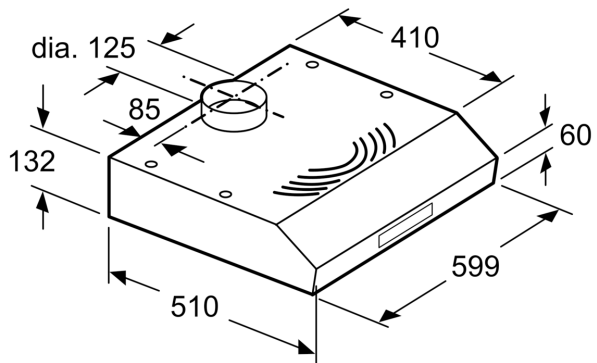
- LED lighting
- Single motor
- Average Energy Consumption: 103.3 kWh/year*
- Blower Efficiency Class: E*
- Colour Temperature: 2700 K
- Lighting Efficiency Class: C*
- Energy Efficiency Class: D*
- Noise min./max. Normal Level: 52/73 dB*

Technical Information

- Suitable for ducted or re-circulated extraction
- Dimensions of the product, with chimney (if exists) (HxWxD mm): 132 x 600 x 510
- Power rating: 166 W

* In accordance with the EU-Regulation No 65/2014

**Series 2, built-under cooker hood, 60
cm, Stainless steel
DHU635HZA**



measurements in mm