

**Serie | 4, telescopic cooker hood, 60 cm, Stainless steel DHI623GTH**



**The telescopic cooker hood: practically disappears into your upper cabinet, giving you a sleek kitchen front.**

- **Extraction rate:** at 420 m<sup>3</sup>/h, it quickly ensures optimal kitchen air quality.
- **Halogen lighting:** for optimal, energy-efficient illumination of the hob.

**Technical Data**

Typology :	Pull-out
Approval certificates :	CE, VDE
Length electrical supply cord (cm) :	150
Required niche size for installation (HxWxD) :	140mm x 550mm x 280mm
Net weight (kg) :	6.601
Type of control :	mechanical
Number of speed settings :	3
Maximum output recirculating air (m <sup>3</sup> /h) :	209
Number of lights :	2
Diameter of air outlet (mm) :	120
Grease filter material :	Washable aluminium
Odour filter :	No
Operating Mode :	Convertible
Optional accessories :	DHZ2600
Type of lamps used :	Halogen
Total power of the lamps (W) :	56; 28
Grease filter type :	Kassette
Connection Rating (W) :	186
Current (A) :	10
Voltage (V) :	220-240
Frequency (Hz) :	50
Plug type :	Gardy plug w/ earthing
Installation typology :	Built-in
Material body :	Lacquered
Approval certificates :	CE, VDE
Plug type :	Gardy plug w/ earthing
Dimensions of the product, with chimney (if exists) (in) :	/ x x
Dimensions of the packed product (in) :	9.44 x 13.77 x 25.19
Net weight (lbs) :	15
Gross weight (lbs) :	16
Motor location :	Integrated motor in hood body
No-return airflow flap :	No
Length electrical supply cord (cm) :	150
Dimensions of the product, with chimney (if exists) (mm) :	180 x 598 x 300
Dimensions of the packed product (HxWxD) (mm) :	240 x 350 x 640
Net weight (kg) :	6.601
Gross weight (kg) :	7.0



**Serie | 4, telescopic cooker hood, 60 cm,  
Stainless steel  
DHI623GTH**

**The telescopic cooker hood: practically  
disappears into your upper cabinet, giving  
you a sleek kitchen front.**

---

**Design**

- Telescopic design
- Stainless steel
- Push buttons

**Key Functions**

- 3 fan speeds

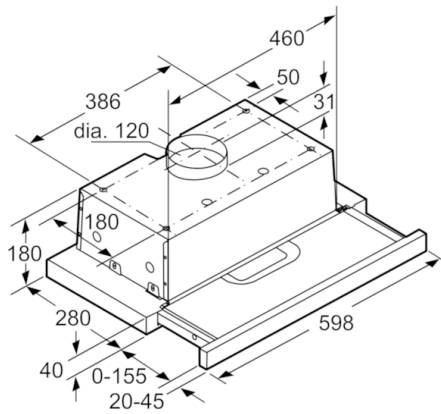
**Comfrot**

- halogen lighting
- Metal grease filter

**Technical Information**

- Install into a 60cm wide wall cupboard
- Suitable for ducted or re-circulated extraction
- Dimensions of the product, with chimney (if exists) (HxWxD mm): 180 x 598 x 300
- Minimum clearance to electric cooktop: 500 mm  
Minimum clearance to gas cooktop: 650 mm
- Electrical connection rating: 186 W
- Length of main cable: 150 cm
- Ducting connection: 120 mm

**Serie | 4, telescopic cooker hood, 60 cm,  
Stainless steel  
DHI623GTH**



measurements in mm