

**Series 2, telescopic cooker hood, 60 cm, Black
DFT63CA61**



DWZ1X1G9 Wall bracket
DWZ6IT0A0 Active carbon filter

The telescopic cooker hood: practically disappears into your upper cabinet, giving you a sleek kitchen front.

- **3-Speed Power Level Options To Suit Your Cooking Style And Recipes**
- **Ducted or Non-ducted Options**

Typology: Pull-out
 Length electrical supply cord: 150.0 cm
 Min. required niche size for installation (HxWxD): 135mm x 598.0mm x 300mm mm
 Net weight:9.2 kg
 Type of control:mechanical
 Number of speed settings:3
 Maximum output air extraction: 310 m³/h
 Maximum output recirculating air:220 m³/h
 Number of lights: 2
 Noise level:67 dB(A) re 1 pW
 Diameter of air outlet: 120 mm
 Grease filter material:Washable aluminium
 Odour filter: No
 Operating Mode:Convertible
 Optional accessories:DWZ1X1G9, DWZ6IT0A0
 Total power of the lamps: 8 W
 Grease filter type:Kassette
 Connection Rating: 181 W
 Voltage: 220-240 V
 Frequency: 50 Hz
 Plug type: Gardy plug w/ earthing
 Installation typology: Built-in
 Material body: Lacquered
 Plug type: Gardy plug w/ earthing
 Dimensions of the product, with chimney (if exists) (in):x x
 Dimensions of the packed product: 14.17 x 25.59 x 9.64
 Net weight:20.000 lbs
 Gross weight: 23.000 lbs
 Motor location: Integrated motor in hood body
 No-return airflow flap: Yes
 Length electrical supply cord: 150.0 cm
 Dimensions of the product, with chimney (if exists):175 x 598.0 x 300.0 mm
 Dimensions of the packed product (HxWxD): 360 x 650 x 245 mm
 Net weight:9.2 kg
 Gross weight: 10.3 kg



**Series 2, telescopic cooker hood, 60
cm, Black
DFT63CA61**

**The telescopic cooker hood: practically
disappears into your upper cabinet, giving
you a sleek kitchen front.**

Performance

- Extraction rate exhaust air according to EN 61591 max. 310 m³/h
- Noise min./max. Normal Level: 57/67 dB*
- 3 fan speeds
- 90 cm Telescopic cooker hood , Stainless Steel
- Handle strip white
- Pull-out vapour with glass
- Metal grease filter, dishwasher safe
- Single motor
- Energy Efficiency Class: D*

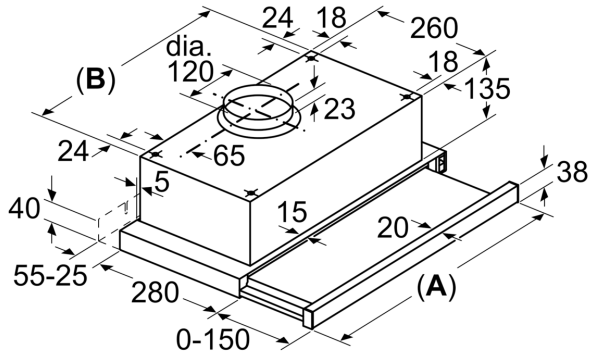
Technical Information

- Dimensions exhaust air (HxWxD): 175-175 x 598 x 300 mm
- Dimensions recirculating (HxWxD): 175-175 x 598 x 300 mm
- Suitable for ducted or re-circulated extraction
- Power rating: 181 W

* In accordance with the EU-Regulation No 65/2014

**Series 2, telescopic cooker hood, 60 cm, Black
DFT63CA61**

measurements in mm



Hood Type	A	B	Hood Type	A	B
450	448	348	700	698	598
500	498	398	800	798	698
550	548	448	900	898	798
600	598	498			