

**Series 4, telescopic cooker hood, 60 cm, Silver
DFT63AC50**



DHZ2600 Standard odor filter

The telescopic cooker hood: practically disappears into your upper cabinet, giving you a sleek kitchen front.

Typology: Pull-out
 Length electrical supply cord: 150.0 cm
 Min. required niche size for installation (HxWxD): 140mm x 460.0mm x 280mm mm
 Net weight: 6.5 kg
 Type of control: mechanical
 Number of speed settings: 3
 Maximum output air extraction: 368 m³/h
 Maximum output recirculating air: 140 m³/h
 Number of lights: 2
 Noise level: 68 dB(A) re 1 pW
 Diameter of air outlet: 120 mm
 Grease filter material: Washable aluminium
 Odour filter: No
 Operating Mode: Convertible
 Optional accessories: DHZ2600
 Type of lamps used: LED
 Grease filter type: Kasette
 Connection Rating: 146 W
 Fuse protection: KSA A
 Voltage: 220-240 V
 Frequency: 50; 60 Hz
 Plug type: Gardy plug w/ earthing
 Installation typology: Built-in
 Material body: Lacquered
 Plug type: Gardy plug w/ earthing
 Dimensions of the product, with chimney (if exists) (in): x x
 Dimensions of the packed product: 9.52 x 14.37 x 24.96
 Net weight: 14.000 lbs
 Gross weight: 19.000 lbs
 Motor location: Integrated motor in hood body
 No-return airflow flap: Yes
 Length electrical supply cord: 150.0 cm
 Dimensions of the product, with chimney (if exists): 180 x 598.0 x 280.0 mm
 Dimensions of the packed product (HxWxD): 242 x 365 x 634 mm
 Net weight: 6.5 kg
 Gross weight: 8.5 kg



Series 4, telescopic cooker hood, 60 cm, Silver DFT63AC50

The telescopic cooker hood: practically disappears into your upper cabinet, giving you a sleek kitchen front.

Design

- 90 cm Slimline cooker hood, Stainless Steel
- Appliance colour: silver
- push buttons

Power

- 3 fan speeds
- Maximum extraction 368 m³/h
- Noise level according to EN 60704-3 and EN 60704-2-13 at maximum normal setting: extraction rate: 68 dB(A) re 1 pW (54 dB(A) re 20 µPa sound pressure)

Comfort:

- Metal grease filter, dishwasher safe
- 2 x 4 W LED spot 3W
- Light Intensity: 78 lux
- Colour Temperature: 3000 K
- Single motor
- Energy Efficiency Class: D*
- Average Energy Consumption: 68 kWh/year*
- Blower Efficiency Class: E*
- Lighting Efficiency Class: D*
- Grease Filtering Efficiency Class: D*

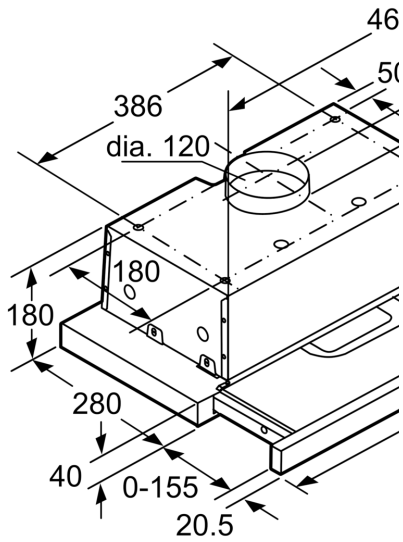
Technical Information

- Suitable for ducted or re-circulated extraction
- Install into a 60cm wide wall cupboard
- Power rating: 146 W
- 120 or 120 mm diameter pipe

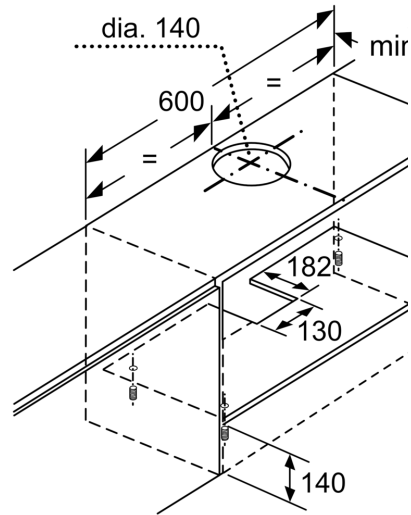
Technical Information

* In accordance with the EU-Regulation No 65/2014

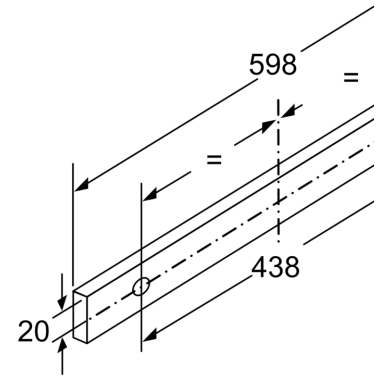
**Series 4, telescopic cooker hood, 60
cm, Silver
DFT63AC50**



meas



meas



meas