

Series 8, Built-In Fully Automatic Coffee Machine, Black CTL7181B0



1 x assembly screws, 1 x milk container, 1 x test strip, 1 x connection hose for milk frother, 1 x milk pipe, 1 x welcome-Box

TCZ7003	Accessories small appliances
TCZ7033	Water filter
TCZ8001A	Cleaning tablets
TCZ8002A	Descaling tablets
TCZ8004A	Care set espresso
Y988081300 :	
Y988081302 :	
Y988081303 :	
Y988081012 :	

- **AutoMilk Clean:** Automatic steam cleaning after every beverage for a properly cleaned milk system.
- **AromaDouble Shot:** Extra-strong coffee with less bitterness thanks to two grinding and brewing processes
- **OneTouch DoubleCup:** Your choice of espresso or milk drinks with a click – even two cups at once.
- **OneTouch Function:** All coffee specialities at the touch of a button - no matter whether it's espresso, cappuccino or latte macchiato

Built-in / Free-standing:	Built-in
Frothing nozzle:	No
Display:	No
Water protection system:	no
Portion sizes:	All cups
Dimensions:	455 x 594 x 385 mm
Dimensions of the packed product (HxWxD):	540 x 550 x 670 mm
Min. required niche size for installation (HxWxD):	449 x 558 x 376 mm
Hot water spout:	No
Standby function:	Yes
Simultaneous preparation of 2 cups:	Yes
Included accessories: ... 1 x assembly screws, 1 x milk container, 1 x test strip, 1 x connection hose for milk frother, 1 x milk pipe, 1 x welcome-Box	
Optional accessories:	TCZ7003, TCZ7033, TCZ8001A, TCZ8002A, TCZ8004A, Y988081300, Y988081302, Y988081303, Y988081012
Fuse protection:	10 A
Voltage:	220-240 V
Frequency:	50/60 Hz
Plug type:	Gardy plug w/ earthing
Product group:	Built-in coffee machine
Product name/family:	Built-in coffee machines
Product name / Commercial code:	CTL7181B0
Typology:	Fully automatic
Length electrical supply cord:	170.0 cm
Maximum height for installation:	449 mm
Dimensions:	455 x 594 x 385 mm
Dimensions of the packed product (HxWxD):	540 x 550 x 670 mm
Net weight:	42.000 lbs
Net weight:	18.9 kg
Gross weight:	49.000 lbs
Gross weight:	22.3 kg
Capacity water container:	2.4 l





**Series 8, Built-In Fully Automatic
Coffee Machine, Black
CTL7181B0**

Flavour

convenience

Performance

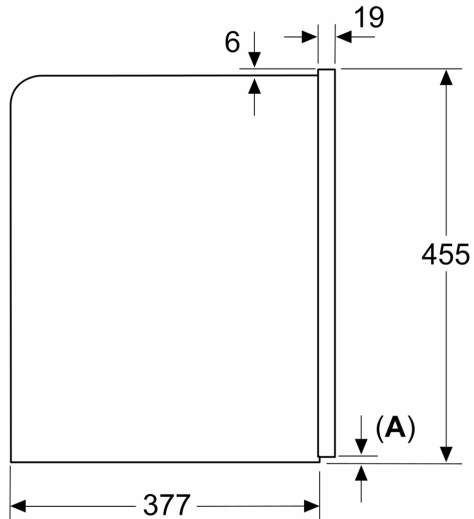
Hygiene

Miscellaneous

Accessories

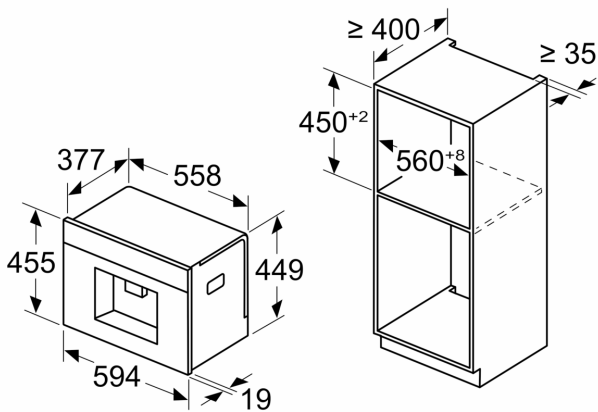
**Series 8, Built-In Fully Automatic
Coffee Machine, Black
CTL7181B0**

Measurements in mm



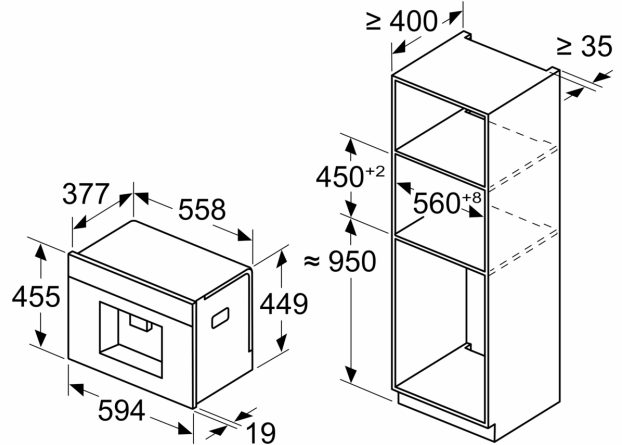
A: 7.5 mm

Measurements in mm



Bean and water containers are removed from the front
Recommended installation height
950–1450 mm

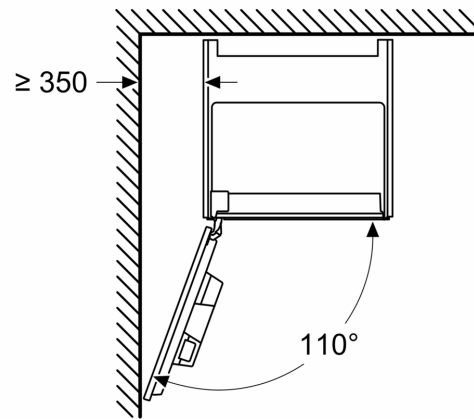
Measurements in mm



Bean and water containers are removed from the front
Recommended installation height
950–1450 mm

Measurements in mm

Left corner installation



If using the 92° hinge limiter, the min. distance to the wall is only 100 mm

Measurements in mm

