

**Serie | 8, Built-in compact oven with steam function, 60 x 45 cm, Stainless steel  
CSG656BS1B**



**Included accessories**

1 x grid, 1 x universal pan, 1 x steam container, punched, size S, 1 x steam container, punched, size XL, 1 x steam container, unpunched, size S

**The compact steam oven with hot air function: lets you combine gentle cooking with the power of hot air.**

- **DishAssist:** automatic setting of the optimal type of heat, temperature and time for countless dishes.
- **TFT touchscreen control:** easy-to-use thanks to the control ring with full text and images.
- **EcoClean Direct:** almost no cleaning is necessary thanks to a special coating of the rear- and side wall and the roof that automatically absorbs grime and regeneration programm.

**Technical Data**

Color / Material Front :	Stainless steel
Built-in / Free-standing :	Built-in
Door opening :	Drop down
Required niche size for installation (HxWxD) :	450-455 x 560-568 x 550
Dimensions :	455 x 594 x 548
Dimensions of the packed product (HxWxD) (mm) :	520 x 650 x 710
Control Panel Material :	Stainless steel
Door Material :	Glass
Net weight (kg) :	34.549
Approval certificates :	CE, VDE
Length electrical supply cord (cm) :	150
Cooking method :	Bottom heat, Conventional heat, Defrost, fermentation, Full width grill, Half width grill, Hot Air-Eco, Hot air grilling, low temperature cooking, Pizza setting, pre-heating, Regeneration, Steam 100%, warming
Current (A) :	16
Voltage (V) :	220-240
Frequency (Hz) :	60; 50
Plug type :	no plug
Approval certificates :	CE, VDE
Color / Material Front :	Stainless steel
Energy input :	Electric
Current (A) :	16
Voltage (V) :	220-240
Frequency (Hz) :	60; 50
Approval certificates :	CE, VDE
Plug type :	no plug
Net weight (lbs) :	76.000
Gross weight (lbs) :	81.000



## **Serie | 8, Built-in compact oven with steam function, 60 x 45 cm, Stainless steel CSG656BS1B**

**The compact steam oven with hot air function: lets you combine gentle cooking with the power of hot air.**

---

- Compact steam oven with 12 heating methods:

- 4D hot air
- Hot Air-Eco
- Top/bottom heat
- Conventional heat ECO
- Hot air grilling
- Full width grill
- Half width grill
- Pizza setting
- Bottom heat
- Soft steaming
- Plate warming
- Hold warm

- Additional heating methods with steam: steam  
100%, regeneration, fermentation, defrost

### **Design**

- Drop down door, soft closing, soft opening
- LED light, Switch for oven illumination

### **Comfort**

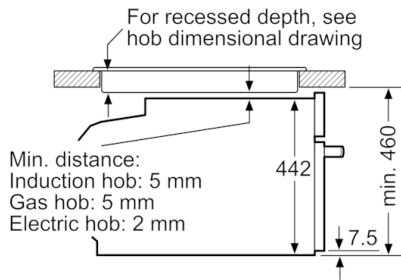
- Cavity volume: 47 l
- Integral cooling fan
- EcoLyse features: ceiling, back panel, side liners
- Safety functions: Child lock  
Automatic switch off  
Residual heat indicator  
start button  
door contact switch
- Electronic clock with start / stop function
- Additional functions:  
descaling programme  
autom. boiling point detection  
drying function
- Temperature range 30 °C-250 °C
- Water tank 1 l

### **Technical information**

- Appliance dimension (h x w x d): 455 mm x 594 mm x 548 mm
- Length of mains cable: 150 cm

## Serie | 8, Built-in compact oven with steam function, 60 x 45 cm, Stainless steel CSG656BS1B

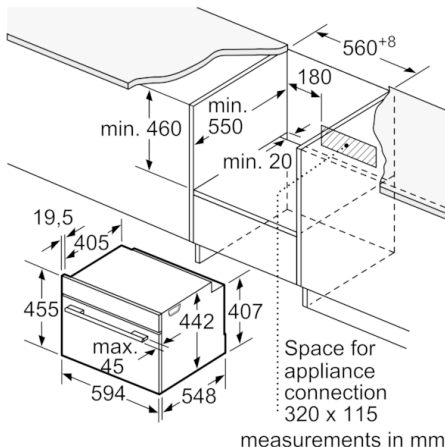
Installation with a hob.



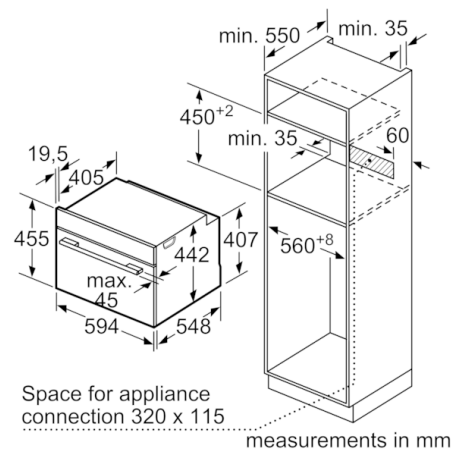
measurements in mm

If the compact appliance will be installed underneath a hob, the following worktop thicknesses (including substructure if necessary) must be taken into account.

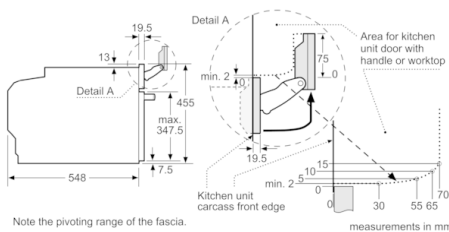
Hob type	min. worktop thickness	
	fitted	flush
Induction hob	42 mm	43 mm
Full surface Induction hob	52 mm	53 mm
Gas hob	32 mm	43 mm
Electric hob	32 mm	35 mm



measurements in mm



measurements in mm



measurements in mm