

**Series 8, built-in compact oven with
microwave function, 60 x 45 cm,
Black
CMG7241B1**



1 x combination grid, 1 x universal pan

HEZG0AS00 Connecting cable 3m, HEZ915003 Glass roasting dish, 5,4 L, HEZ327000 Pizza stone, HEZ530000 Half tray, HEZ531010 Baking tray, non-stick ceramic coated, HEZ532010 Universal pan, non-stick ceramic coated, HEZ617000 Pizza pan, enamelled, HEZ629070 Air Fry & Grill tray, HEZ631070 Baking tray, enamelled, HEZ632070 Multipurpose pan, enamelled, HEZ634000 Baking and roasting grid (standard), HEZ636000 Glass pan, HEZ660050 Cover Strip, HEZ660060 Strip, HEZ664000 Baking and roasting grid (steam)

Type of micro-wave oven:MW-Combi
 Type of control:Electronic
 Dimensions: 455 x 594 x 548 mm
 Cavity dimensions: 237.0 x 480 x 392.0 mm
 Length electrical supply cord: 150.0 cm
 Net weight: 35.3 kg
 Gross weight: 37.6 kg
 Maximum micro-wave power: 900 W
 Number of Power Levels: 5
 Turntable: No
 Heating type: Circulating air gentle
 Cavity material: Enamelled steel
 Door opening: Handle
 Clock: Yes
 Included accessories: 1 x combination grid, 1 x universal pan
 Height of the appliance: 455 mm
 Width of the appliance: 594 mm
 Depth of the product: 548 mm
 Maximum micro-wave power: 900 W
 Connection Rating: 3600 W
 Fuse protection: 16 A
 Voltage: 220-240 V
 Frequency: 50 Hz
 Plug type: Gardy plug w/ earthing
 Required cutout/niche size for installation (in): x
 Dimensions of the packed product: 21.25 x 25.59 x 26.77
 Net weight: 78.000 lbs
 Gross weight: 83.000 lbs



Series 8, built-in compact oven with microwave function, 60 x 45 cm, Black CMG7241B1

Heating Functions

- Temperature range 30 °C - 230 °C
- Cavity volume: 45 l

Hook-in racks / rails

Design

- Touch control
- Cavity inner surface: enamel anthracite

Cleaning:

- Cleaning aid

Comfort

- Electronic clock with start / stop function
- Temperature proposal
- Actual temperature display Optical temperature control
- Drop down door, soft closing, soft opening
- Supporting systems: Dish categories
- Rapid heating-up
- LED light, Switch for oven illumination
- Integral cooling fan
- HomeConnect ready on WLAN

Accessory:

- 1 x combination grid, 1 x universal pan

Environment and Safety:

- Maximum window temperature 40° C
- Safety functions: Child lock
- Automatic switch off Residual heat indicator start button door contact switch

Technical information

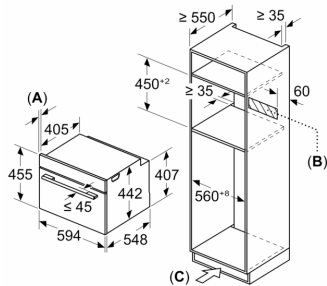
- Length of mains cable: 150 cm
- Nominal voltage: 220 - 240 V
- Connected load: 3600 W

Dimensions:

- Appliance dimension (hxwxd): 455 mm x 594 mm x 548 mm
- Required niche size for installation (HxWxD mm): 450 mm - 455 mm x 560 mm - 568 mm x 550 mm
- "Please reference the built-in dimensions provided in the installation drawing"

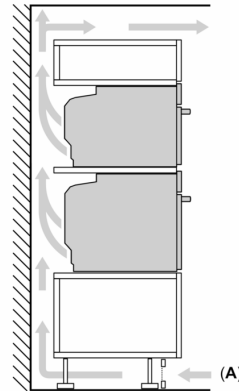
**Series 8, built-in compact oven with
microwave function, 60 x 45 cm,
Black
CMG7241B1**

Measurements in mm

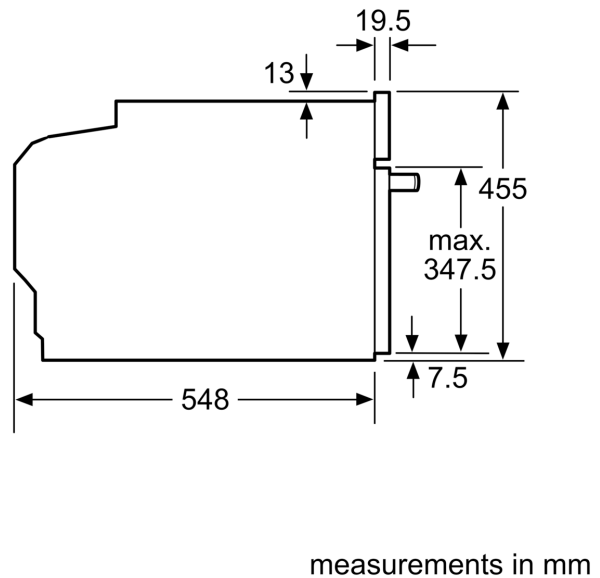
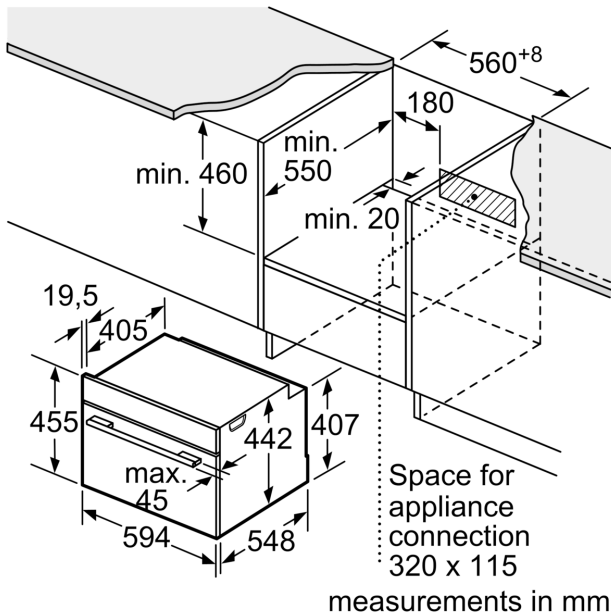


- A: 19.5 mm
- B: Space for appliance connection
320 x 115 mm
- C: Ventilation space in the base \geq
200 cm²

**Installing two appliances on top of each
other
Air exchange**

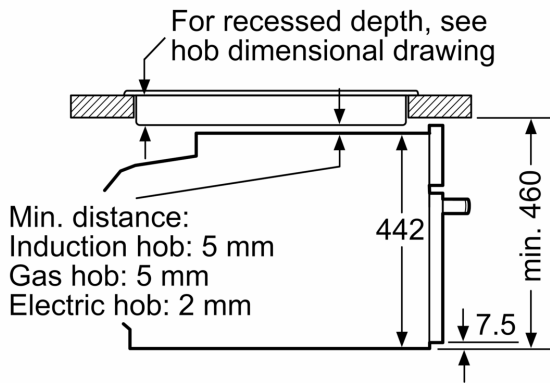


A: Air inlet \geq 200 cm²



Installation with a hob.

If the compact appliance will be installed underneath a hob, the following worktop thicknesses (including substructure if necessary) must be taken into account.



measurements in mm

Hob type	min. worktop thickness	
	fitted	flush
Induction hob	42 mm	43 mm
Full surface Induction hob	52 mm	53 mm
Gas hob	32 mm	43 mm
Electric hob	32 mm	35 mm