

**Series 8, built-in compact oven with
microwave function, 60 x 45 cm,
Stainless steel
CMG633BS1B**



- **TFT Touch Display:** easy-to-use thanks to the Control Ring with clear text and symbols.

Type of micro-wave oven:MW-Combi
 Type of control:Electronic
 Dimensions: 455 x 594 x 548 mm
 Cavity dimensions: 237.0 x 480 x 392.0 mm
 Length electrical supply cord: 150.0 cm
 Net weight: 34.6 kg
 Gross weight: 36.9 kg
 Maximum micro-wave power:900 W
 Number of Power Levels: 5
 Turntable: No
 Cavity material: Enamelled steel
 Door opening: Handle
 Clock: Yes
 Included accessories: 1 x combination grid, 1 x universal pan
 Height of the appliance: 455 mm
 Width of the appliance: 594 mm
 Depth of the product: 548 mm
 Maximum micro-wave power: 900 W
 Connection Rating: 3600 W
 Fuse protection: 16 A
 Voltage: 220-240 V
 Frequency: 60; 50 Hz
 Plug type:no plug
 Alternative colors available:CMG633BB1B
 Required cutout/niche size for installation (in):x
 Dimensions of the packed product: 21.25 x 25.59 x 26.77
 Net weight: 76.000 lbs
 Gross weight: 81.000 lbs

1 x combination grid, 1 x universal pan

HEZ327000 Pizza stone, HEZ530000 Half tray, HEZ531010 Baking tray, non-stick ceramic coated, HEZ532010 Universal pan, non-stick ceramic coated, HEZ617000 Pizza pan, enamelled, HEZ625071 Grill tray, anthracite, HEZ631070 Baking tray, enamelled, HEZ632070 Multipurpose pan, enamelled, HEZ634080 Baking and roasting grid (microwave), HEZ636000 Glass pan, HEZ660050 Cover Strip, HEZ660060 Strip, HEZ664000 Baking and roasting grid (steam), HEZ915003 Glass roasting dish, 5,4 L



Series 8, built-in compact oven with microwave function, 60 x 45 cm, Stainless steel CMG633BS1B

Heating Functions

- Compact oven with microwave with 6 heating methods:
- 4D hot air
- Hot Air-Eco Hot air grilling Full width grill Half width grill Plate warming
- Additional heating methods with microwave: microwave, combi microwave constant

Design

- Drop down door, soft closing, soft opening
- LED light, Switch for oven illumination

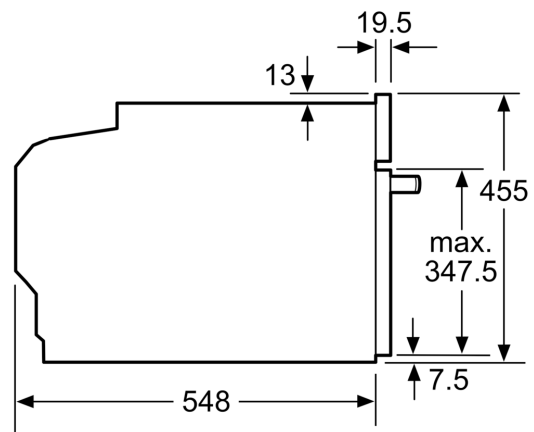
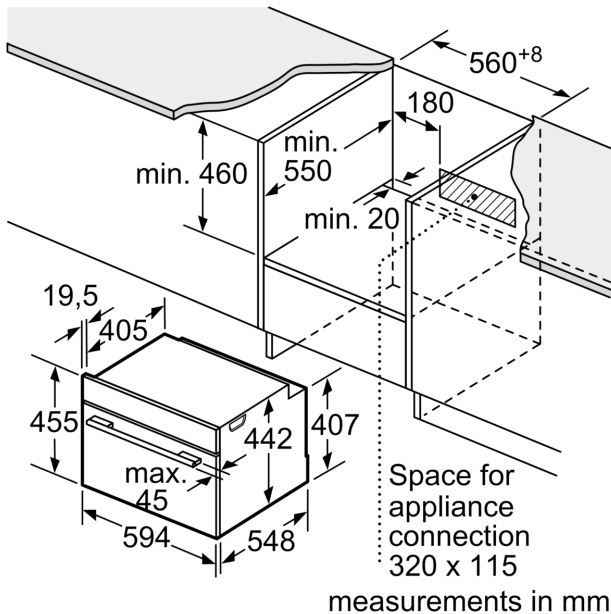
Comfort

- Cavity volume: 45 l
- Integral cooling fan
- Safety functions: Child lock
- Automatic switch off Residual heat indicator start button door contact switch
- Electronic clock with start / stop function

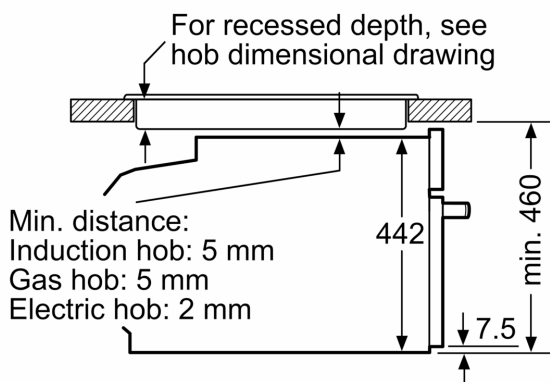
Technical information

- Appliance dimension (hxwxd): 455 mm x 594 mm x 548 mm
- Required niche size for installation (HxWxD mm): 450 mm - 455 mm x 560 mm - 568 mm x 550 mm
- Connected load: 3600 W
- Length of mains cable: 150 cm

**Series 8, built-in compact oven with
microwave function, 60 x 45 cm,
Stainless steel
CMG633BS1B**



Installation with a hob.



If the compact appliance will be installed underneath a hob, the following worktop thicknesses (including substructure if necessary) must be taken into account.

Hob type	min. worktop thickness	
	fitted	flush
Induction hob	42 mm	43 mm
Full surface Induction hob	52 mm	53 mm
Gas hob	32 mm	43 mm
Electric hob	32 mm	35 mm

