

**Series 8, warming drawer, 60 x 14 cm, Stainless steel
BIC630NS1**



HEZG9AS00S Adapter

The multifunctional warming drawer for the 14 cm niche: for pre-heating plates, keeping food warm and low temperature cooking.

- **Push-pull mechanism:** easy opening and closing thanks to a practical spring mechanism.
- **Cleaning convenience:** easy-to-clean hotplate made of tempered glass.

Built-in / Free-standing:	Built-in
Maximum number of plates:	12
Maximum number of espresso cups:	64
Dimensions:	140 x 594 x 548 mm
Dimensions of the packed product (HxWxD):	210 x 660 x 660 mm
Min. required niche size for installation (HxWxD):	140 x 560 x 550 mm
Time control:	No
Fuse protection:	10 A
Voltage:	220-240 V
Frequency:	60; 50 Hz
Plug type:	Gardy plug w/ earthing
Required cutout/niche size for installation (in):	x
Dimensions of the packed product:	8.26 x 25.98 x 25.98
Net weight:	34.000 lbs
Gross weight:	38.000 lbs
Length electrical supply cord:	150.0 cm
Min. required niche size for installation (HxWxD):	140 x 560 x 550 mm
Dimensions:	140 x 594 x 548 mm
Dimensions of the packed product (HxWxD):	210 x 660 x 660 mm
Net weight:	15.4 kg
Gross weight:	17.4 kg





**Series 8, warming drawer, 60 x 14
cm, Stainless steel
BIC630NS1**

**The multifunctional warming drawer for
the 14 cm niche: for pre-heating plates,
keeping food warm and low temperature
cooking.**

- Heating plate made of toughened glass
- Temperature control in 4 levels: ca. 30°C - 80°C (glass surface temperature)

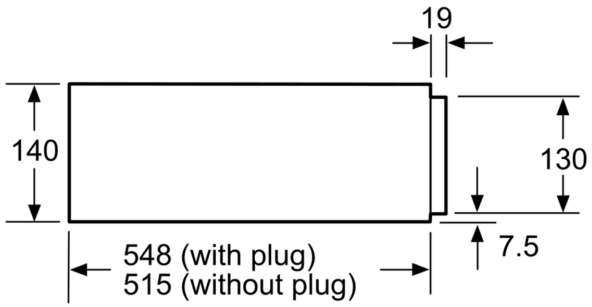
Comfort

- Cavity volume: 20 l
- Loading up to 25 kg
- Max. loading espresso cups: 64 PC or Max. loading plates: 12 PC
- 5 functions: dough proving thawing of delicate foods keeping drinks and food warm pre-warming of crockery gentle cooking
- push&pull

Technical information

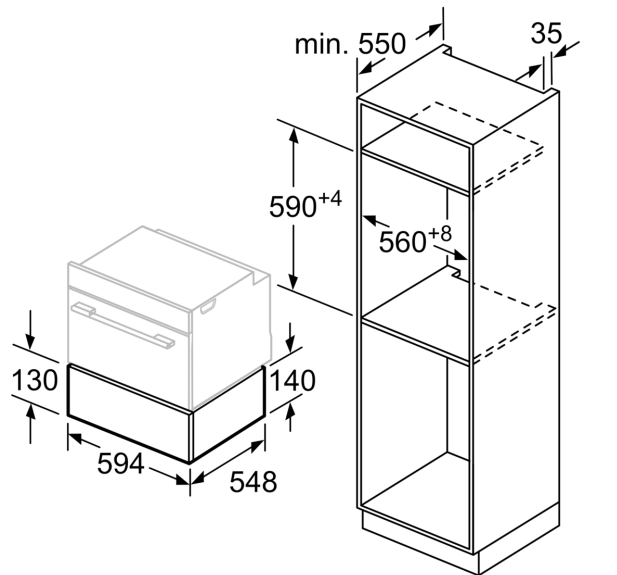
- Length of mains cable: 150 cm
- Appliance dimension (hxwxd): 140 mm x 594 mm x 548 mm
- Niche dimension (hxwxd): 140 mm x 560 mm - 568 mm x 550 mm

**Series 8, warming drawer, 60 x 14 cm, Stainless steel
BIC630NS1**



Compact ovens with an appliance height of 455 mm can be installed above a warming drawer. An intermediate floor is not required.

measurements in mm



measurements in mm