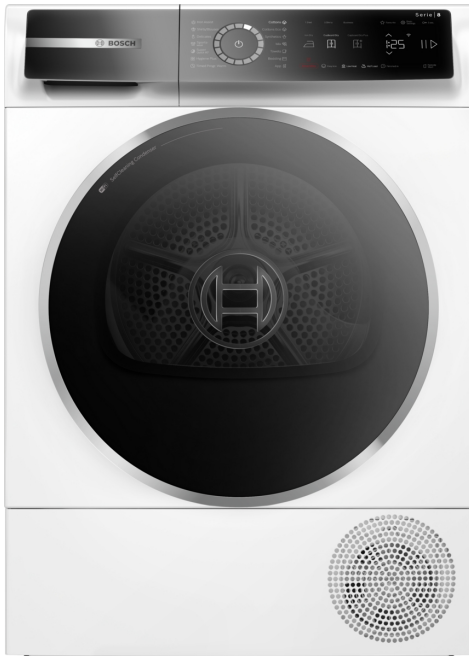


Series 8, Heat pump tumble dryer, 9 kg WQB245B0SG



- **Iron Assist:** warm mist treatment that reduces up to 50% wrinkles.
- **Auto Dry:** automatically dries to the exact degree of dryness you want.
- **Anti Vibration Design:** extremely stable and extraordinarily quiet thanks to special vibration protection.
- **Home Connect:** home appliances with smart connectivity for an easier everyday life.
- **Sensitive Drying System:** for gentle drying without wrinkles.

Built-in / Free-standing: Free-standing
 Removable top: No
 Door hinge: Right reversible
 Color / Material body: White
 Length electrical supply cord: 145 cm
 Dimensions: 842x598x613 mm
 Net weight: 56.2 kg
 Drum volume: 112 l
 Fluorinated greenhouse gases: R290
 Hermetically sealed equipment: Yes
 Connection rating: 600 W
 Fuse protection: 10 A
 Voltage: 220-240 V
 Frequency: 50 Hz
 Drying process: automatic
 Loading capacity: 9.0 kg
 Energy efficiency rating: A+++
 Power consumption in off-mode - NEW (2010/30/EC): 0.30 W
 Power consumption in left-on mode - NEW (2010/30/EC): 0.30 W
 Duration of the left-on mode - NEW (2012/30/EC): 15 min
 Condensation efficiency class - NEW (2010/30/EC): B



- WMZ20600 Wool in basket - accessory
- WTZ27500 Stacking kit with pull-out shelf
- WTZ27510 Stacking kit

Series 8, Heat pump tumble dryer, 9 kg WQB245B0SG

- WQB245B0SG
- 9 kg, tumble dryer with heat pump

Performance

Programmes

Additional Information

- Anti crease cycle 120 min at the end of the programme

Convenience and Safety

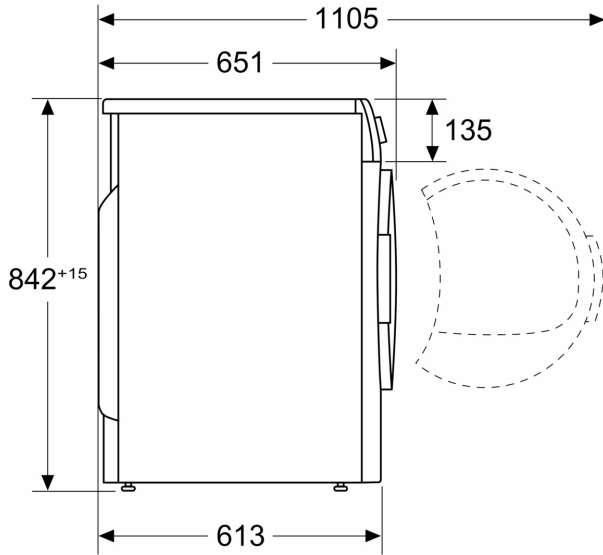
- SelfCleaning condenser
- DUO-Tronic
- Sensitive Drying Design: Stainless steel drum with textile care structure; soft design paddles
- AntiVibration™ Design: Stability and Quietness
- Drum light interior
- Large and easily accessible lint filter
- Child Proof Lock
- End of cycle Indicator
- Side opening door, right hinged, reversible
- Metal door closing hook

Technical Information

- slide-under

**Series 8, Heat pump tumble dryer, 9
kg
WQB245B0SG**

Measurements in mm



Measurements in mm

