

**Series 8, Washer dryer, 10/6 kg,  
1400 rpm  
WDU8H541GB**



- Extra comfortable operation with Direct Select Display and illuminated control dial for an easy programm selection.
- Wash & Dry 60: Wash and dry efficiently small loads in just 60 min.
- Speed Perfect: perfectly clean in up to 65% less time.
- HygieneCare: washing program with dry high temperature pre-treatment for hygienic fabric care.

---

Energy Efficiency Class Wash/Dry cycle(Regulation (EU) 2017/1369):	D
Energy Efficiency Class Eco 40-60 programme (Regulation (EU) 2017/1369):	A
Weighted energy consumption in kWh per 100 full Wash/Dry cycles (EU 2017/1369):	307 kWh
Weighted energy consumption in kWh per 100 washing cycles of eco 40-60 programme (EU 2017/1369):	49 kWh
Maximum capacity in kg in a Wash/Dry cycle (EU 2017/1369):	6.0
Maximum capacity in kg in a wash cycle (EU 2017/1369):	10.0
The water consumption of the full wash and dry cycle in liters per cycle (EU 2017/1369):	74 l
The water consumption of the eco programme in liters per cycle (EU 2017/1369):	50 l
Duration of the full wash and dry cycle in hours and mins at rated capacity (EU 2017/1369):	8:00 h
Duration of eco 40-60 programme in hours and mins at rated capacity (EU 2017/1369):	3:55 h
Spin-drying efficiency class of eco 40-60 programme (EU 2017/1369):	B
Built-in / Free-standing:	Free-standing
Removable top:	No
Door hinge:	Left
Length electrical supply cord:	210.0 cm
Dimensions of the product:	848x598x616 mm
Net weight:	84.7 kg
Drum volume:	65 l
Connection rating:	2300 W
Fuse protection:	10 A
Voltage:	220-240 V
Frequency:	50 Hz

---

WMZ2200 Floor securing component  
WMZ2381 Extension for cold water inlet /Aquastop



## **Series 8, Washer dryer, 10/6 kg, 1400 rpm WDU8H541GB**

---

### **Performance**

#### **Programmes**

#### **Additional Information**

- Timed programmes, Autodry

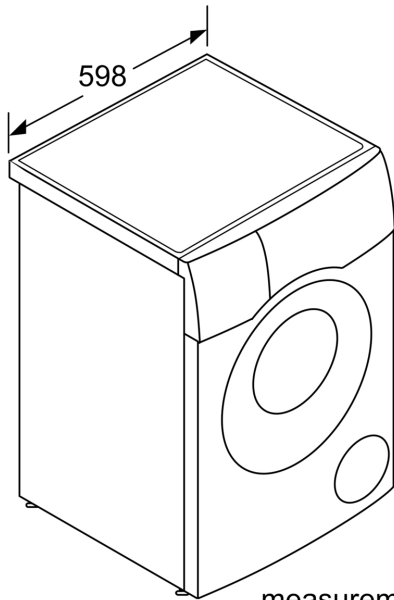
#### **Convenience and Safety**

- Reload function: Be flexible in adding laundry items even after start of the wash cycle.
- AquaStop
- EcoSilence Drive™
- WaveDrum
- Drum light interior
- AntiVibration™ Side Panels reduce vibrations and ensure greater stability during the washing and spinning process
- Sound insulation by bottom cover
- Foam Detection System
- Automatic Load Stabilisation
- End of cycle Indicator
- yes
- Child Proof Lock
- Porthole with glass cover
- door hinging left
- Metal door closing hook
- magnet with pull-open latch

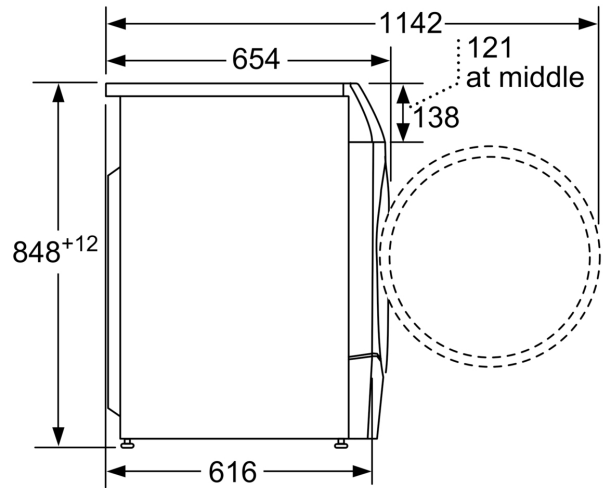
#### **Technical Information**

- slide-under

**Series 8, Washer dryer, 10/6 kg,  
1400 rpm  
WDU8H541GB**



measurements in mm



measurements in mm