

**Series 6, Washing machine, front loader, 9 kg, 1400 rpm  
WAT286H9SG**



- WMZ20490 Platform with pull-out
- WMZ2200 Floor securing component
- WMZ2381 Extension for cold water inlet /Aquastop

**Home Connect: Smart connectivity provides remote monitoring and control for greater convenience**

- **i-DOS**: automatically measures the precise amount of detergent and water needed.
- **EcoSilence Drive™**: extremely energy-efficient and quiet in operation with a 10-year warranty.
- **VarioPerfect™**: takes up to 65% less time or uses up to 50% less energy – by simply selecting SpeedPerfect or EcoPerfect functions.
- **Vario Drum**: gently and efficiently wash with even water distribution and without creasing garments.

---

Built-in / Free-standing: .....	Free-standing
Door hinge: .....	Left
Color / Material body: .....	White
Length electrical supply cord: .....	160.0 cm
Height of the appliance: .....	848 mm
Dimensions of the product: .....	848 x 598 x 590 mm
Wheels: .....	No
Net weight: .....	68.8 kg
Drum volume: .....	63 l
Door Frame: .....	Chrome, blackgray
Noise level washing: .....	48 dB(A) re 1 pW
Connection rating: .....	2300 W
Fuse protection: .....	10 A
Voltage: .....	220-240 V
Frequency: .....	50 Hz
Energy Star Qualified: .....	No
Cord Included: .....	Yes
Plug type: .....	GB plug
Length of supply hose (in): .....	59.05 "
Dimensions of the packed product: .....	33.85 x 24.60 x 26.57
Net weight: .....	152.000 lbs
Gross weight: .....	153.000 lbs
Length of drain hose: .....	150.00 cm
Length of supply hose: .....	150.00 cm
Dimensions of the packed product (HxWxD): .....	860 x 625 x 675 mm
Gross weight: .....	69.5 kg
Connection rating: .....	2300 W
Fuse protection: .....	10 A
Voltage: .....	220-240 V
Frequency: .....	50 Hz
Water protection system: .....	Aquasecure system
Max. spin speed: .....	1400 rpm
Spin speed options: .....	Variable
Digital countdown indicator: .....	Yes
Maximum capacity in kg (EU 2017/1369): .....	9.0 kg

---



## **Series 6, Washing machine, front loader, 9 kg, 1400 rpm WAT286H9SG**

### **Home Connect: Smart connectivity provides remote monitoring and control for greater convenience**

---

#### **Technical Information**

- Capacity 9 kg
- Maximum spin speed: 1400 r/minrpm
- Dimensions (H x W x D) :
- 84.8 cm x 59.8 cm x 63.2 cm
- 32 cm porthole, 171° swing door

#### **Programmes**

- Cottons, Cotton Eco, Synthetics, Delicates/Silk, Wool, Quick Wash, Rinse/Spin/Drain, Drum Clean, SuperQuick 15/30min, Duvet, Curtains, AllergyPlus, Automatic Intensive
- Time delay to select end time of your wash (1 - 24 hours) and time remaining indicator
- Reload function to pause machine operation for adding in last minute laundry items

#### **Features**

- i-DOS automatic dosing system dispenses the precise amount of liquid detergent for perfect cleaning
- EcoSilence Drive™ friction-free motor minimises heat and wear for long-lasting performance, quiet operation and perfect wash results.
- VarioPerfect™: high performance programmes which allow you to clean your laundry with 20% less energy or reduce cleaning time by 65%
- EcoProjection provides information on how much energy will be used for a selected program
- VarioDrum's breakthrough wave-droplet design provides a thorough yet gentle clean for fine textiles
- AntiVibration™ Side Panels reduce vibrations and ensure greater stability during the washing and spinning process.
- ActiveWater™ Plus: Pressure and water sensor that measures the washing load and adjusts water intake to 256 precise levels for more cost and water savings
- Self cleaning detergent drawer to remove detergent residue
- Self cleaning detergent drawer to remove detergent residue
- Drum Clean with reminder

#### **Display Screen & Alerts**

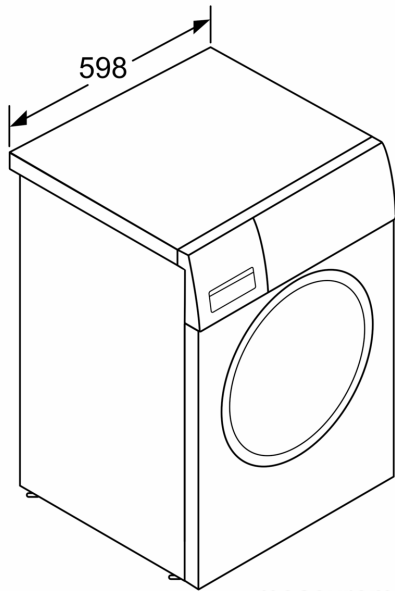
- Large LED display screen to indicate: Programme status, Temperature and Spin Speed Selection, Remaining Time and 24 Hour End Time Delay, Load Recommendation and Consumption
- TouchControl buttons: Start/Reload, Temperature, ecoPerfect/speedPerfect, Rinse Plus, Spin Speed Reduction
- Buzzer at the end of the wash programme

#### **Safety**

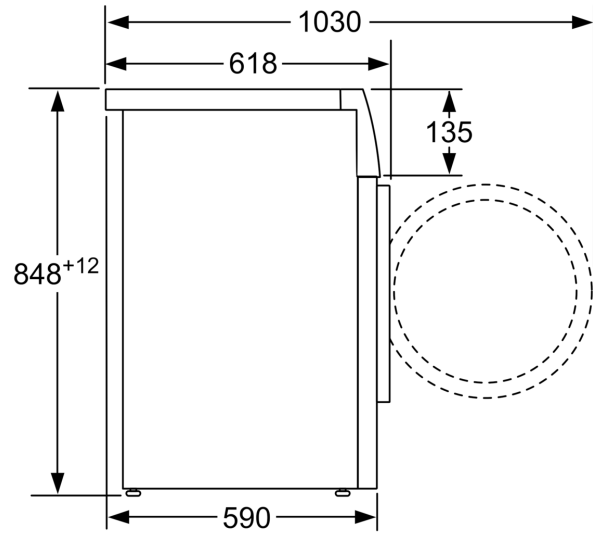
- Aquasecure™ self-sealing hose to minimise risk of water leakage
- Child-proof lock

**Series 6, Washing machine, front  
loader, 9 kg, 1400 rpm  
WAT286H9SG**

---



measurements in mm



measurements in mm