

**Series 4, Fully-integrated dishwasher,
60 cm
SMV4HCX48E**



**Easy loading of your dishes and manage
your dishwasher via the Home Connect app.**

- **Home Connect:** home appliances with smart connectivity for an easier everyday life
- **Extra Dry:** the extra option for stronger drying performance.
- **EcoSilence Drive:** especially energy-saving and silent in operation.
- **AquaStop:** the safety net against water damages. A warranty through the lifetime of the dishwasher.
- **Dosage Assist:** allows the tablet to dissolve steadily, ensuring spotless dishes without leftovers.

Technical Data

Energy Efficiency Class (Regulation (EU) 2017/1369): D

Energy Consumption for 100 cycles Eco Programme (EU 2017/1369): 85 kWh/100 cycles

Maximum number of place settings (EU 2017/1369): 14

The water consumption of the eco programme in liters per cycle (EU 2017/1369): 9.5 l

Programme duration (EU 2017/1369): 4:55 h

Airborne acoustical noise emissions (EU 2017/1369): 44 dB(A) re 1pW

Airborne acoustical noise emission class (EU 2017/1369): B

Cleaning performance: A

Water consumption: 9.5 l

Total annual energy consumption 220 days: 205 kWh

Total annual water consumption 220 days: 2090 l

Built-in / Free-standing: Built-in

Removable top: No

Door panel options: Not possible

Height of removable worktop: 0 mm

Height of the appliance: 815 mm

Adjustable feet: Yes - all from front

Maximum adjustability feet: 60 mm

Adjustable plinth: Both horizontal and vertical

Net weight: 35.1 kg

Gross weight: 37.5 kg

Connection Rating: 2400 W

Fuse protection: 10 A

Voltage: 220-240 V

Frequency: 50; 60 Hz

Length electrical supply cord: 175 cm

Plug type: Gardy plug w/ earthing

Length inlet hose: 165 cm

Length outlet hose: 190 cm

Hidden heating element: Yes

Water protection system description: Triple water protection 24h

Child safety devices: No

Water softener: Yes

Top basket type: Practical loading

Adjustable upper basket: Rackmatic 3-stage

Bottom basket type: R2

3rd Rack: 3rd Rack 1.0

Optional accessories: SGZ0BI01, SGZ0IC00, SGZ1010, SGZ8BI00, SMZ1051EU, SMZ2056, SMZ5003, SMZ5035, SMZ5100, SMZ5300

Included accessories : Vapor barrier plate

Number of place settings: 14

Dimensions of the packed product (HxWxD): 880x660x670 mm



4 242005 173808

Series 4, Fully-integrated dishwasher, 60 cm SMV4HCX48E

Easy loading of your dishes and manage your dishwasher via the Home Connect app.

Specification

- Capacity: 14 place settings
- Dimension (WxHxD): 59.8 x 81.5 x 55 cm
- Energy² / Water³: 85 kWh / 9.5 litres

Programmes

- 6 programmes: Eco 50 °C, Auto 45-65° 45-65 °C, Intensive 70 °C, Express 65° 65 °C, Silence 50 °C, Favourite
- 4 special options: Remote Start, Extra Dry, Half Load, SpeedPerfect+

Features

- Silence on Demand (via app)
- Noise level (silence programme): 41 dB(A) re 1 pW
- Wi-Fi
- Time Delay: 1 - 24 hours
- Machine Care
- Heat exchanger.
- BLDC Motor
- Dosage Assist Basket ensures the tablets are dissolving properly
- Favourite Programme
- InfoLight red
- Incl. Steam Protection Plate
- 3-fold corrugated filter
- Inner Tub: Stainless Steel
- Glass Care System
- Funnel
- Time Indicator (min)

Safety

- Aqua Stop - Prevent Water Leakage

Baskets and Racks

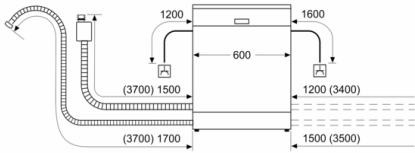
- VarioDrawer
- Adjustable upper rack: Rackmatic 3-stage
- 2 foldable plate racks in top basket
- 2 Foldable Plate Racks in Bottom Basket
- 2 Cup Shelves in Top Basket
- Low friction wheels on lower rack and 3rd loading level
- Rack Stopper to prevent derailing of lower basket

² Energy consumption in kWh per 100 cycles (in programme Eco 50 °C)

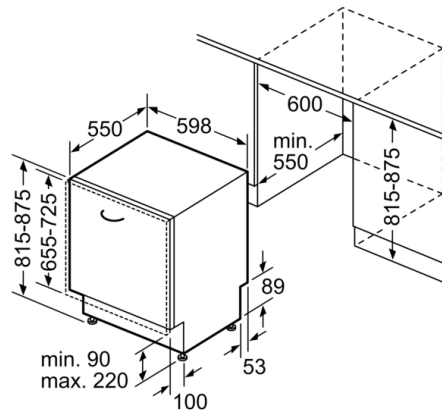
³ Water consumption in litres per cycle (in programme Eco 50 °C)

Series 4, Fully-integrated dishwasher, 60 cm SMV4HCX48E

measurements in mm



A socket
B values with extension kit



measurements in mm