

Series 4, Fully-integrated dishwasher, 60 cm SMV4HCX19E



Easy loading of your dishes and manage your dishwasher via the Home Connect app.

- **Extra Dry:** the extra option for stronger drying performance.
- **Flex baskets:** flexible and practical solution for easy loading.
- **Silence Plus:** The remarkably quiet 42 dB dishwasher.
- **Home Connect:** home appliances with smart connectivity for an easier everyday life
- **Want to know when your dishwasher is done?**

Energy Efficiency Class (Regulation (EU) 2017/1369): D
Energy Consumption for 100 cycles Eco Programme (EU 2017/1369):85 kWh/100 cycles
Maximum number of place settings (EU 2017/1369): 14
The water consumption of the eco programme in liters per cycle (EU 2017/1369):9.0 l
Programme duration (EU 2017/1369): 4:30 h
Airborne acoustical noise emissions (EU 2017/1369):42 dB(A) re 1pW
Airborne acoustical noise emission class (EU 2017/1369): B
Cleaning performance:A
Water consumption:9.0 l
Total annual water consumption 220 days: 1980 l
Built-in / Free-standing: Built-in
Removable top: No
Door panel options: Not possible
Height of removable worktop: 0 mm
Height of the appliance: 815 mm
Adjustable feet: Yes - all from front
Maximum adjustability feet: 60 mm
Adjustable plinth: Both horizontal and vertical
Net weight:35.1 kg
Gross weight: 37.5 kg
Connection rating: 2400 W
Fuse protection: 10 A
Voltage: 220-240 V
Frequency: 50; 60 Hz
Length electrical supply cord: 175 cm
Plug type: Gardy plug w/ earthing
Length inlet hose: 165 cm
Length outlet hose: 190 cm
Hidden heating element: Yes
Water protection system description: Triple water protection 24h
Child safety devices:No
Water softener:Yes
Top basket type: Practical loading with Flex basket
Adjustable upper basket: Rackmatic 3-stage
Bottom basket type: R2
3rd Rack:3rd Rack 1.0
Included accessories : Vapor barrier plate
Number of place settings: 14
Dimensions of the packed product (HxWxD):880x660x670 mm



Series 4, Fully-integrated dishwasher, 60 cm SMV4HCX19E

**Easy loading of your dishes and manage
your dishwasher via the Home Connect
app.**

Innovation and Technology

- Dimension (WxHxD): 59.8 x 81.5 x 55 cm

² Energy consumption in kWh per 100 cycles (in programme Eco 50 °C)

³ Water consumption in litres per cycle (in programme Eco 50 °C)

Features

- Energy Efficiency Class¹: D
- Energy² / Water³: 85 kWh / 9 litres
- Capacity: 14 place settings
- Noise level: 42 dB(A) re 1 pW
- Noise Efficiency Class: B
- Noise level (silence programme): 41 dB(A) re 1 pW

Specification

- 6 programmes: Eco 50 °C, Auto 45-65° 45-65 °C, Intensive 70 °C, Express 65° 65 °C, Silence 50 °C, Favourite
- Favourite Programme
- 4 special options: Remote Start, Extra Dry, Half Load, SpeedPerfect+
- Machine Care

Safety

- Heat Exchanger
- Aqua Sensor
- Dosage Assist Basket ensures the tablets are dissolving properly
- BLDC Motor
- Detergent Automation
- 3-fold corrugated filter
- Inner Tub: Stainless Steel

Baskets and Racks

- VarioDrawer
- Adjustable upper rack: Rackmatic 3-stage
- Low friction wheels on lower rack
- Rack Stopper to prevent derailing of lower basket
- 2 foldable plate racks in top basket
- 2 Foldable Plate Racks in Bottom Basket
- 2 Cup Shelves in Top Basket

Comfort

- Wi-Fi
- Push button top controls
- Panel legend: Plain text (english)
- InfoLight red
- Time Indicator (min)
- End of Cycle Signal
- Time Delay: 1 - 24 hours

Programmes

- Aqua Stop - Prevent Water Leakage
- Glass Care System

Performance

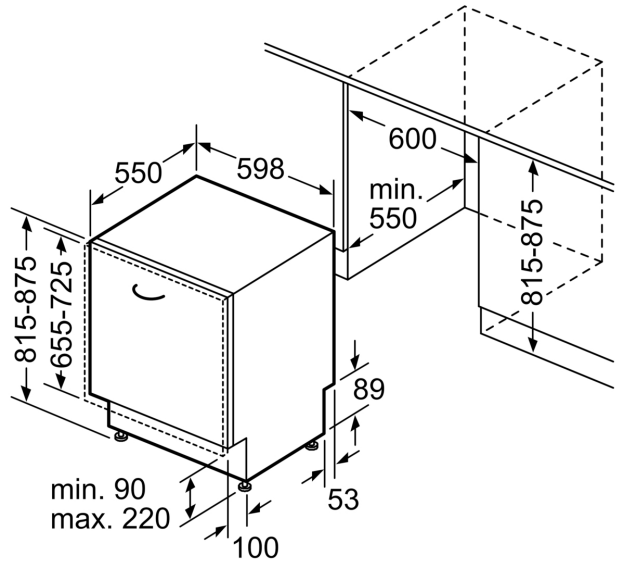
- Funnel
- Incl. Steam Protection Plate

Series 4, Fully-integrated dishwasher, 60 cm SMV4HCX19E

measurements in mm



⏏ socket
() values with extension kit



measurements in mm