

**Series 8, Domino gas hob, 30 cm,  
Ceramic, Black  
PRB3A6B70**



**The domino gas hob with FlameSelect:  
achieve perfect cooking results thanks to  
nine precisely defined power levels.**

- **FlameSelect:** adjust the gas flame precisely using nine defined levels.
- **Heavy-duty continuous surface grates can be easily and quickly cleaned in the dishwasher.**
- **Continuous cast-iron pan support:** for high firmness and stability of cookware.
- **Sword knobs:** for an ergonomic control.
- **Surface:** highly heat-resistant glass-ceramic design.

Product name/family: ..... Vario/Domino gas hob w control  
 Built-in / Free-standing: ..... Built-in  
 Energy input: ..... Gas  
 Total number of positions that can be used at the same time: ..... 2  
 Required niche size for installation (HxWxD): 45 x 270 x 490-500 mm  
 Width of the appliance: ..... 306 mm  
 Dimensions: ..... 47x306x52745x306x527 mm  
 Dimensions of the packed product (HxWxD): .....190x380x580 mm  
 Net weight: ..... 7.0 kg  
 Gross weight: ..... 7.9 kg  
 Residual heat indicator: ..... without  
 Location of control panel: ..... Front  
 Basic surface material: ..... Ceramic  
 Color of surface: ..... Black, Alu, brushed  
 Color of frame: ..... Black  
 Length electrical supply cord: ..... 150 cm  
 Connection rating: ..... 1 W  
 Gas connection rating: ..... 4700 W  
 Fuse protection: ..... 3 A  
 Voltage: ..... 220-240 V  
 Frequency: ..... 50; 60 Hz



HEZ394301 Connecting strip

## **Series 8, Domino gas hob, 30 cm, Ceramic, Black PRB3A6B70**

**The domino gas hob with FlameSelect:  
achieve perfect cooking results thanks to  
nine precisely defined power levels.**

---

### **Design**

- glass ceramic surface, Black Tempered Glass
- Facette front, rear, side profiles, aluminium, brushed
- Cast iron pan supports
- BSH flat burner: elegant burner design with less pieces

### **Usage convenience**

- step valve 9 steps: precisely adjust the flame in nine defined and repeatable levels.
- sword knobs: easily access knobs in front with strong grip for effortless turning.
- Control knob with electric ignition: just push and turn the knob to ignite the flame.

### **Burners and power**

- 2 gas burners
- Center front: Standard burner up to 1.9 KW (depending on gas type)
- Center rear: Rapid burner up to 2.8 KW (depending on gas type)

### **Safety**

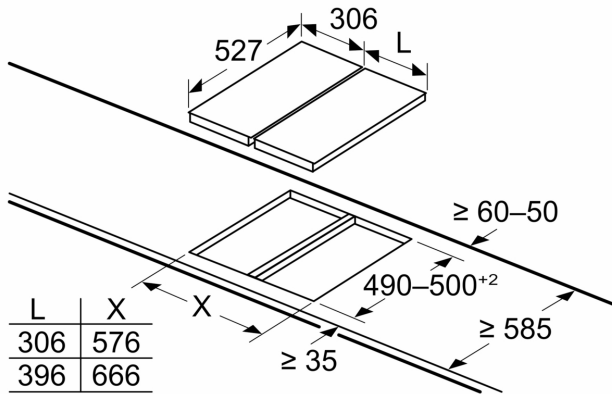
- Flame failure safety device: prevents unwanted gas flow when flame goes out.

### **Installation (gas types & measurements)**

- Usable for: Nat gas L/LL G25/20mbar(DE)
- NG H/E 20mbar, E+ 20/25mbar
- Natural gas H 25 mbar (HU)
- Natural gas L 25 mbar (NL)
- Liquid gas G30,31 28-30/37mbar
- Liquid gas G30 37 mbar (PL)
- Liquid gas 50 mbar
- Preset of natural gas
- Nozzle set for Liquid gas nozzles (28-30/37mbar) included. Nozzles for all other gas types can be ordered via the customer service. For nozzle change, please contact the customer service.
- Dimensions of the product (HxWxD mm): 47 x 306 x 527
- Required niche size for installation (HxWxD mm) : 45 x 270 x (490 - 502)
- Min. worktop thickness: 30 mm
- Power cord: 1.5 m
- Connected load: 4.7 KW

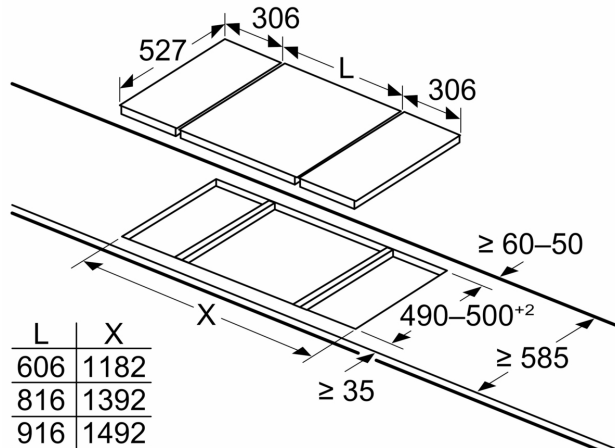
**Series 8, Domino gas hob, 30 cm,  
Ceramic, Black  
PRB3A6B70**

Measurements in mm



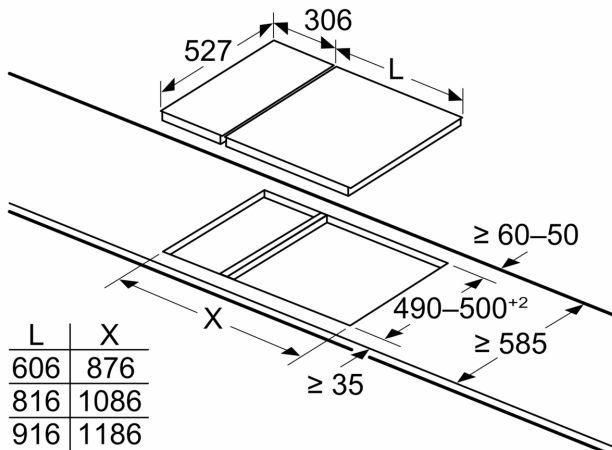
If two or more elements are installed right next to one another, one or several installation kits are required (2 elements 1 installation kit, 3 elements 2 installation kits, etc.)

Measurements in mm



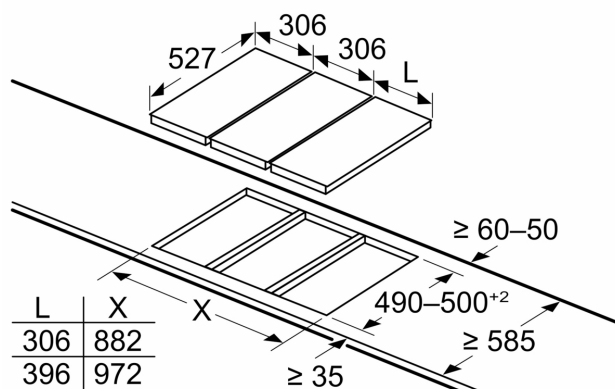
When installing two Domino units right next to a hob, two assembly kits (HEZ394301) are required

Measurements in mm



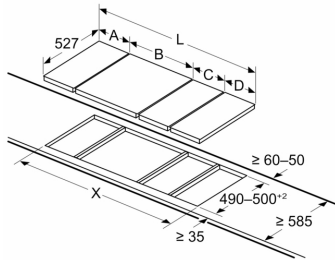
When installing two Domino units right next to a hob, two assembly kits (HEZ394301) are required

Measurements in mm



If two or more elements are installed right next to one another, one or several installation kits are required (2 elements 1 installation kit, 3 elements 2 installation kits, etc.)

Measurements in mm  
**Picture for the table Domino combination possibilities with corresponding devices and cutout dimensions**



If two or more elements are installed right next to one another, one or several installation kits are required (2 elements 1 installation kit, 3 elements 2 installation kits, etc.)

Cutout dimension (X) depending on the combination (see combination table)

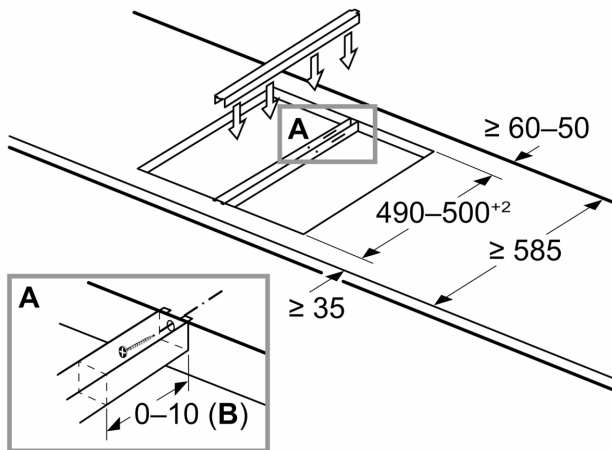
measurements in mm  
 Domino combination options with corresponding appliance and cut-out dimensions

Width category:  
 Appliance width:

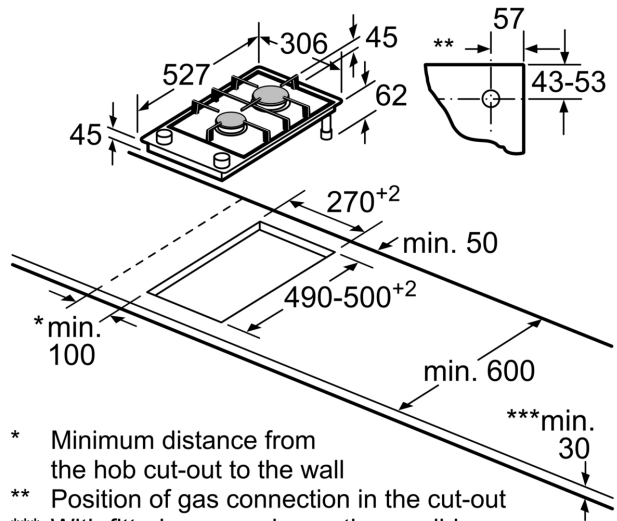
	A	B	C	D	L	X		
2x30	306	306	-	-	-	-	612	576
1x30, 1x40	306	396	-	-	-	-	702	666
1x30, 1x60	306	606	-	-	-	-	912	876
1x30, 1x70*	306	710	-	-	-	-	1016	980
1x30, 1x80	306	816	-	-	-	-	1122	1086
1x30, 1x90	306	916	-	-	-	-	1222	1186
2x40	396	396	-	-	-	-	792	756
1x40, 1x60	396	606	-	-	-	-	1002	966
1x40, 1x70*	396	710	-	-	-	-	1106	1070
1x40, 1x80	396	816	-	-	-	-	1212	1176
1x40, 1x90	396	916	-	-	-	-	1312	1276
3x30	306	306	306	-	-	-	918	882
2x30, 1x40	306	306	396	-	-	-	1008	972
2x30, 1x60	306	306	606	-	-	-	1218	1182
2x30, 1x70*	306	306	710	-	-	-	1322	1286
2x30, 1x80	306	306	816	-	-	-	1428	1392
2x30, 1x90	306	306	916	-	-	-	1528	1492
1x30, 2x40	306	396	396	-	-	-	1098	1062
1x30, 1x40, 1x60	306	396	606	-	-	-	1308	1272
1x30, 1x40, 1x70*	306	396	710	-	-	-	1412	1376
1x30, 1x40, 1x80	306	396	816	-	-	-	1518	1482
1x30, 1x40, 1x90	306	396	916	-	-	-	1618	1582
2x40, 1x60	396	396	606	-	-	-	1398	1362
4x30	306	306	306	306	-	-	1224	1188
3x30, 1x40	306	306	306	396	-	-	1314	1278
1x30, 1x75	306	750	-	-	-	-	1056	1020
1x40, 1x75	396	750	-	-	-	-	1146	1110
2x30, 1x75	306	306	750	-	-	-	1362	1326
1x30, 1x40, 1x75	306	396	750	-	-	-	1452	1416

\* Not possible with 70 cm induction hob

Measurements in mm  
**Assembly kit (HEZ394301) for Domino**



**B:** Dependent on the cut-out depth



- \* Minimum distance from the hob cut-out to the wall
- \*\* Position of gas connection in the cut-out
- \*\*\* With fitted oven underneath, possibly more; see space requirements for the oven

measurements in mm