

**Series 2, Domino electric hob, 30 cm,
Black,
PKF375CA1E**



Optional accessories

HEZ390090 : Wok Set consisting of 3 Items
HEZ394301 : Connecting strip

**The radiant hob of the Domino programme:
makes cooking and cleaning especially
easy.**

- The 18 cm cooking zone - extendable cooking zone.
- **ComfortProfile:** Elegant, appealing design with bevelled front and metal strips on the side.
- **Surface mounted knobs:** for easy setting of preferred cooking level.
- **30 cm width:** suitable for combining with other Domino and ComfortProfile hobs.

Technical Data

Product name/family : Vario/Domino cooking zone cera

Built-in / Free-standing : Built-in

Energy input : Electric

Total number of positions that can be used at the same time : 2

Min. required niche size for installation (HxWxD) : 48 x x mm

Width of the appliance : 306 mm

Dimensions : 48 x 306 x 527 mm

Dimensions of the packed product (HxWxD) : 120 x 375 x 590 mm

Net weight : 4.8 kg

Gross weight : 5.5 kg

Residual heat indicator : Separate

Location of control panel : Hob front

Basic surface material : Ceramic

Color of surface : Alu, brushed, Black

Length electrical supply cord : 100.0 cm

Connection Rating : 3200 W

Fuse protection : 16 A

Voltage : 220-240 V

Frequency : 60; 50 Hz



Series 2, Domino electric hob, 30 cm, Black, PKF375CA1E

**The radiant hob of the Domino programme:
makes cooking and cleaning especially easy.**

Cooking Zone

- 2 Radiant cooking zones, including: 1 dual zone
- Variable 9 stage-powerPower Settings For Each Zone
- Cooking Zones:
 - 1 x Ø145 mm, 1200 W
 - 1 x Ø180 mm, 800 W

Design

- Comfort profile (ceramic front facette with stainless steel side trim)
- Can be combined with other Bosch hobs
- Easy to control knobs

Key Functions

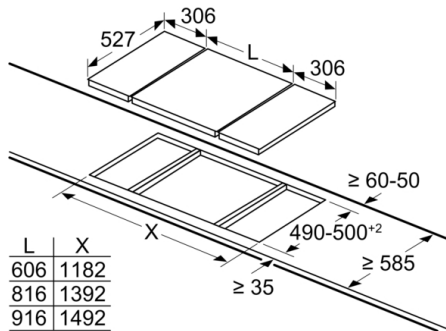
- 2 power on indicator lights
- Residual heat indicator for each zone

Dimensions

- Dimensions of the product (HxWxD mm) : 48 x 306 x 527
- Electrical connection rating: 3200 W

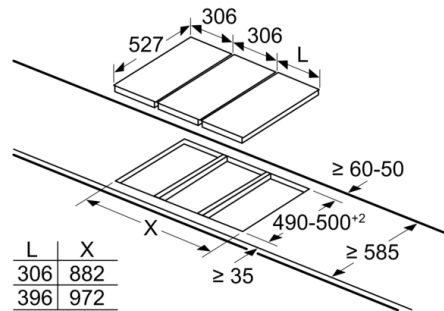
Series 2, Domino electric hob, 30 cm, Black, PKF375CA1E

measurements in mm



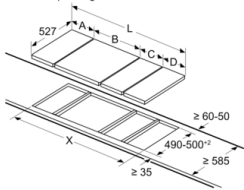
When installing two Domino units right next to a hob, two assembly kits (HEZ394301) are required.

measurements in mm



When installing two or more Domino units side-by-side, one or more assembly kits are required (2 units = 1 assembly kit, 3 units = 2 assembly kits, etc.).

measurements in mm
Picture for the table Domino combination possibilities with corresponding devices and cutout dimensions



If two or more elements are installed right next to one another, one or several installation kits are required (2 elements 1 installation kit, 3 elements 2 installation kits, etc.).

Cutout dimension (X) depending on the combination see table:

measurements in mm

Domino combination options with corresponding appliance and cut-out dimensions

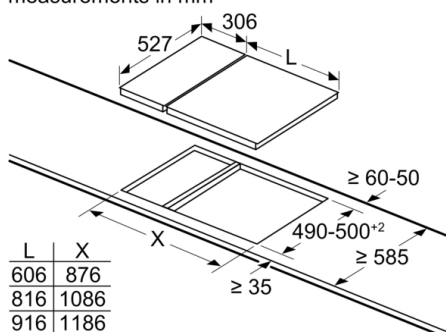
Width category:
Appliance width:

	A	B	C	D	L	X		
2x30	306	306	-	-			612	576
1x30, 1x40	306	396	-	-			702	666
1x30, 1x60	306	606	-	-			912	876
1x30, 1x70*	306	710	-	-			1016	980
1x30, 1x80	306	816	-	-			1122	1086
1x30, 1x90	306	916	-	-			1222	1186
2x40	396	396	-	-			792	756
1x40, 1x60	396	606	-	-			1002	966
1x40, 1x70*	396	710	-	-			1106	1070
1x40, 1x80	396	816	-	-			1212	1176
1x40, 1x90	396	916	-	-			1312	1276
3x30	306	306	306	-			918	882
2x30, 1x40	306	306	396	-			1008	972
2x30, 1x60	306	306	606	-			1218	1182
2x30, 1x70*	306	306	710	-			1322	1286
2x30, 1x80	306	306	816	-			1428	1392
2x30, 1x90	306	306	916	-			1528	1492
1x30, 2x40	306	396	396	-			1098	1062
1x30, 1x40, 1x60	306	396	606	-			1308	1272
1x30, 1x40, 1x70*	306	396	710	-			1412	1376
1x30, 1x40, 1x80	306	396	816	-			1518	1482
1x30, 1x40, 1x90	306	396	916	-			1618	1582
2x40, 1x60	396	396	606	-			1398	1362
4x30	306	306	306	306			1224	1188

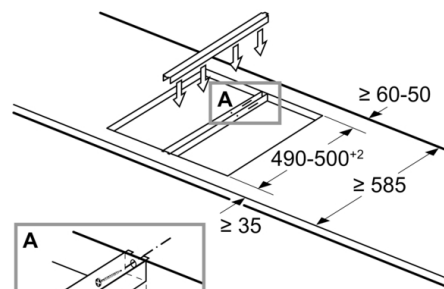
measurements in mm

Assembly kit (HEZ394301) for Domino

measurements in mm



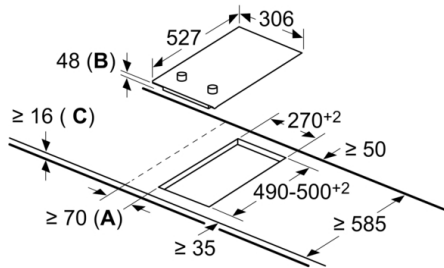
When installing a Domino unit right next to a hob, an assembly kit (HEZ394301) is required.



B: Dependent on the cut-out depth

**Series 2, Domino electric hob, 30 cm, Black,
PKF375CA1E**

measurements in mm



- A:** Minimum distance from the hob cut-out to the wall.
- B:** Recessed depth
- C:** With fitted oven underneath min. 20, possibly more; see space requirements for the oven.