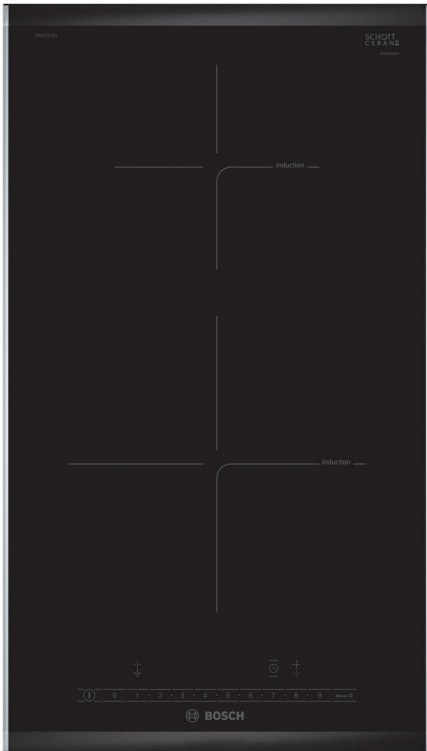


**Series 6, Domino induction hob, 30 cm, surface mount with frame PIB375FB1E**



**The induction hob of the Domino programme: cook quickly, safely and cleanly with low energy consumption.**

- **Comfort Profile:** elegant, appealing design with bevelled front and metal strips on the side.
- **Power Boost:** up to 35% faster heating compared to highest power level.
- **Quick Start:** start straight away and select the desired cooking level.
- **Restart:** restores hob settings in case of an unintentional hob switch-off.
- **Timer with switch-off function:** turns off the assigned cooking zone after the set time.

Product name/family: ..... Vario/Domino cooking zone cera  
 Built-in / Free-standing: ..... Built-in  
 Energy input: ..... Electric  
 Total number of positions that can be used at the same time: ..... 2  
 Required niche size for installation (HxWxD): 51 x 270 x 490-500 mm  
 Width of the appliance: ..... 306 mm  
 Dimensions: ..... 51x306x527 mm  
 Dimensions of the packed product (HxWxD): ..... 110x370x573 mm  
 Net weight: ..... 6.8 kg  
 Gross weight: ..... 7.5 kg  
 Residual heat indicator: ..... Separate  
 Location of control panel: ..... Front  
 Basic surface material: ..... Ceramic  
 Color of surface: ..... Black, Alu, brushed  
 Length electrical supply cord: ..... 110 cm  
 Connection rating: ..... 3700 W  
 Voltage: ..... 220-240 V  
 Frequency: ..... 50; 60 Hz



- HEZ32WA00 Wireless food thermometer  
 HEZ394301 Connecting strip  
 HEZ9SE030 Set of 2 pots and 1 pan

## **Series 6, Domino induction hob, 30 cm, surface mount with frame PIB375FB1E**

### **The induction hob of the Domino programme: cook quickly, safely and cleanly with low energy consumption.**

---

- 30 cm: space for 2 pots or pans.

#### **Flexibility of cooking zones**

##### **Usage convenience**

- DirectSelect touch control with digital display: directly control the power with imprinted touch bar.
- Variable 17-stage power settings for each zone: precisely adapt the heat with 17 power levels (9 main levels and 8 intermediate levels).
- Switch off timer for every cooking zone
- : switches off the cooking zone at the end of the time set (e.g. for boiled eggs).
- Timer
- : an alarm sounds at the end of the time set (e.g. for pasta).
- Count-up timer
- : shows how much time has passed since starting the timer (e.g. for potatoes).

##### **Time saving & efficiency**

- Boost function for all zones: boil water more quickly thanks to 50% more energy than at the highest standard level.
- QuickStart Function: when switching on, the hob automatically selects the cooking zone with cookware (placed in off-mode).
- ReStart Function: in case of unintentional switch-off, restore all previous settings by switching on the hob again within 4 seconds.

##### **Design**

- Comfort profile (ceramic front facette with stainless steel side trim)

##### **Safety**

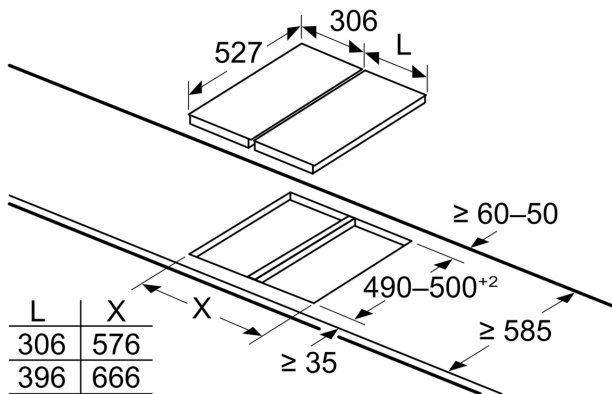
- 2 stage residual heat indicator: indicates which cooking zones are still hot or warm.
- Childproof lock: prevent unintended activation of the hob.
- Main on/off switch: switch off all cooking zones at the touch of a button.
- Safety switch-off: for safety reasons, heating stops after a preset time without interaction (customizable).
- yes: shows the electricity consumption of the last cooking process.

##### **Installation**

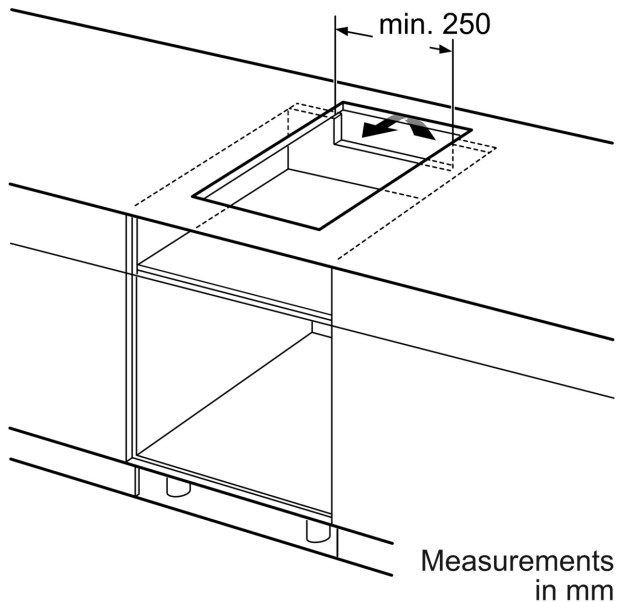
- Dimensions of the product (HxWxD mm): 51 x 306 x 527
- Required niche size for installation (HxWxD mm) : 51 x 270 x (490 - 500)
- Min. worktop thickness: 16 mm
- Connected load: 3.7 KW
- PowerManagement Function: limit the maximum power if needed (depends on fuse protection of electric installation).
- Power cord: 1.1 m, connected directly
- "Please reference the built-in dimensions provided in the installation drawing"

**Series 6, Domino induction hob, 30 cm, surface mount with frame  
PIB375FB1E**

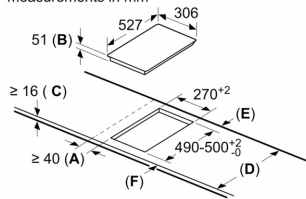
Measurements in mm



If two or more elements are installed right next to one another, one or several installation kits are required (2 elements 1 installation kit, 3 elements 2 installation kits, etc.)



measurements in mm

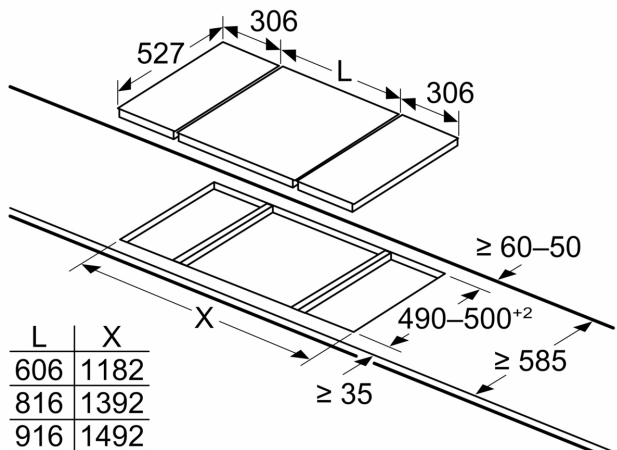


- A: Minimum distance from the hob cut-out to the wall.
- B: Recessed depth
- C: The clearance between the surface of the worktop and the top of the front of the oven must be 30 mm. See space requirements for the oven.

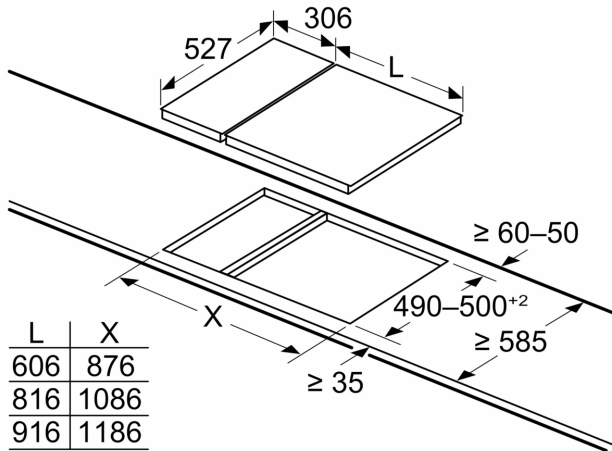
The worktop into which the hob is installed must withstand loads of approx. 60 kg; suitable substructures must be used if required.

D	E	F
585-600	50	≥ 35
> 600	≥ 50	≥ 50

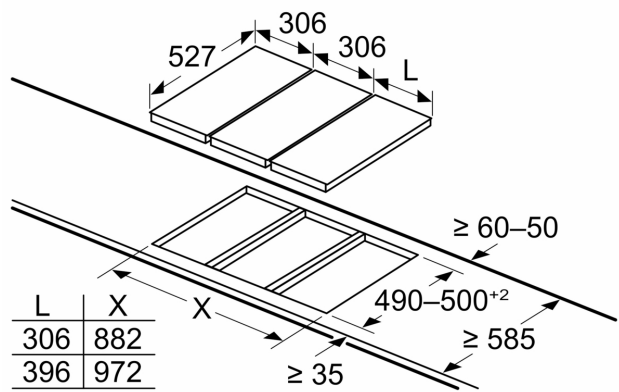
Measurements in mm



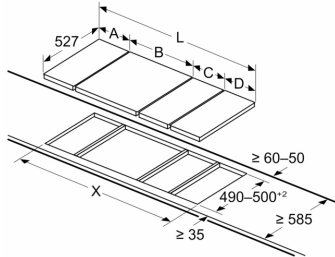
When installing two Domino units right next to a hob, two assembly kits (HEZ394301) are required

**Measurements in mm**


When installing two Domino units right next to a hob, two assembly kits (HEZ394301) are required

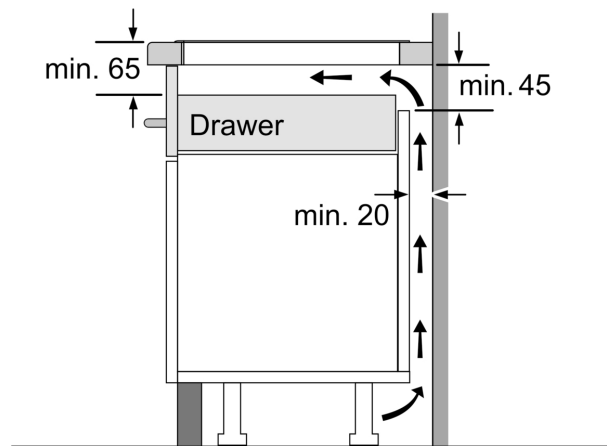
**Measurements in mm**


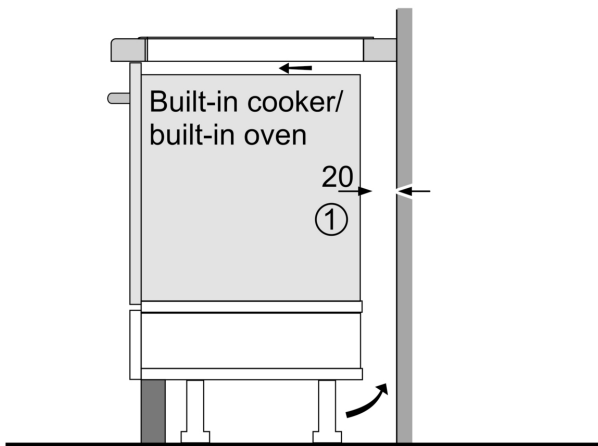
If two or more elements are installed right next to one another, one or several installation kits are required (2 elements 1 installation kit, 3 elements 2 installation kits, etc.)

**Measurements in mm  
Picture for the table Domino combination possibilities with corresponding devices and cutout dimensions**


If two or more elements are installed right next to one another, one or several installation kits are required (2 elements 1 installation kit, 3 elements 2 installation kits, etc.)

Cutout dimension (X) depending on the combination (see combination table)


**Measurements in mm**



①  
Ventilation gap must  
be present.

Measurements in mm

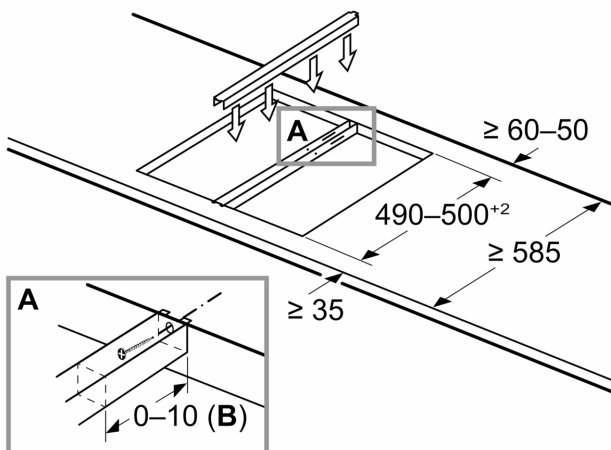
measurements in mm  
Domino combination options with  
corresponding appliance and cut-out dimensions

Width category:  
Appliance width:

	A	B	C	D	L	X		
2x30	306	306	-	-	-	-	612	576
1x30, 1x40	306	396	-	-	-	-	702	666
1x30, 1x60	306	606	-	-	-	-	912	876
1x30, 1x70*	306	710	-	-	-	-	1016	980
1x30, 1x80	306	816	-	-	-	-	1122	1086
1x30, 1x90	306	916	-	-	-	-	1222	1186
2x40	396	396	-	-	-	-	792	756
1x40, 1x60	396	606	-	-	-	-	1002	966
1x40, 1x70*	396	710	-	-	-	-	1106	1070
1x40, 1x80	396	816	-	-	-	-	1212	1176
1x40, 1x90	396	916	-	-	-	-	1312	1276
3x30	306	306	306	-	-	-	918	882
2x30, 1x40	306	306	396	-	-	-	1008	972
2x30, 1x60	306	306	606	-	-	-	1218	1182
2x30, 1x70*	306	306	710	-	-	-	1322	1286
2x30, 1x80	306	306	816	-	-	-	1428	1392
2x30, 1x90	306	306	916	-	-	-	1528	1492
1x30, 2x40	306	396	396	-	-	-	1098	1062
1x30, 1x40, 1x60	306	396	606	-	-	-	1308	1272
1x30, 1x40, 1x70*	306	396	710	-	-	-	1412	1376
1x30, 1x40, 1x80	306	396	816	-	-	-	1518	1482
1x30, 1x40, 1x90	306	396	916	-	-	-	1618	1582
2x40, 1x60	396	396	606	-	-	-	1398	1362
4x30	306	306	306	306	-	-	1224	1188
3x30, 1x40	306	306	306	396	-	-	1314	1278
1x30, 1x75	306	750	-	-	-	-	1056	1020
1x40, 1x75	396	750	-	-	-	-	1146	1110
2x30, 1x75	306	306	750	-	-	-	1362	1326
1x30, 1x40, 1x75	306	396	750	-	-	-	1452	1416

\* Not possible with 70 cm induction hob

Measurements in mm  
**Assembly kit (HEZ394301) for Domino**



**B:** Dependent on the cut-out depth